

Flow meter for gaseous media pressure resistant up to 10 bar



vent-captor 3205.30

The vent-captor type 3205.30; ideal for all measurement and control tasks within automation processes and other industrial applications where gaseous media have to be controlled. Due to its robust stainless steel design it is particularly suitable for use under pressure conditions. The sensor works according to the calorimetric measuring principle which allows the adjustment of the measuring range to a large quantity spectrum. vent-captors operate fully electronically and without mechanically moved parts.

- precise flow measurement
- adjustable measuring range
- temperature independent
- analogue current output 4 – 20 mA
- robust industrial design (special encapsulation)
- **ISO 9001 : 2015**



Technical data	
Type	3205.30/xx
Medium	gaseous (aggressive media on request)
Sensor data *1	
Measuring range	0-5 m/s, - 10 m/s, - 20 m/s, - 30 m/s, - 40 m/s, - 50 m/s
Adjustable	continuously from 20 - 100 % by means potentiometer for zero point and range
Adjustment characteristics	linear to flow speed
Linearity deviation	< 5 % referred to best fitting slope
Repeatability tolerance	< 3 %
Medium temperature	-20 °C bis +70 °C
Ambient temperature	-20 °C bis +70 °C
Pressure	max. 10 bar
Temperature drift	< 0.3 % K
Mechanical data	
Protection class	IP 64
Material sensor probe	ceramic with overglaze
Material housing	stainless steel WN 1.4305 / AISI 303
Electrical connection	2 m oilflex cable / 3 x 0.5 mm ²
Body dimensions	see drawing at bottom
Electrical data	
Operating voltage	24 VDC ±30 %
Current output	4 - 20 mA
Load	max. 500 Ω
Power consumption	70 mA - 140 mA (max. flow)

*1 all data relate to medium air

weber

Sensors GmbH Strohdeich 32
Sensors Ltd. 66 Eastbourne Road, Southport
Sensors LLC. 4462 Bretton Court, Building 1, Suite 7

DE-25377 Kollmar
Merseyside PR8 4DU, UK
Acworth, Georgia 30101, USA

Tel.: +49 (0)4128 - 591 · Fax: - 593

Tel.: +44 (1704) - 551684 · Fax: - 551297

Tel.: +1 (770) 592 - 6630 · Fax: - 592 6640

www.captor.de
info@captor.de

sales@captor.co.uk

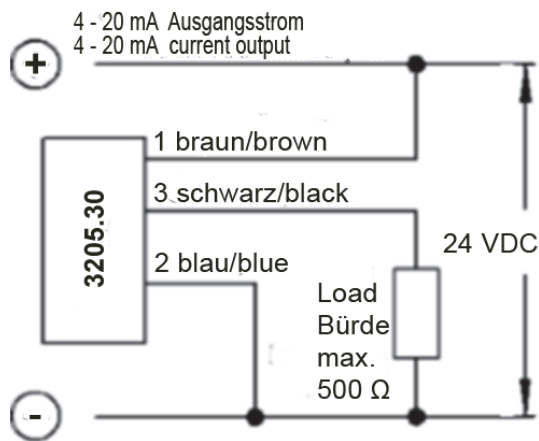
sales@captor.com

Technical data subject to alteration! Rev. AB 25.11.20

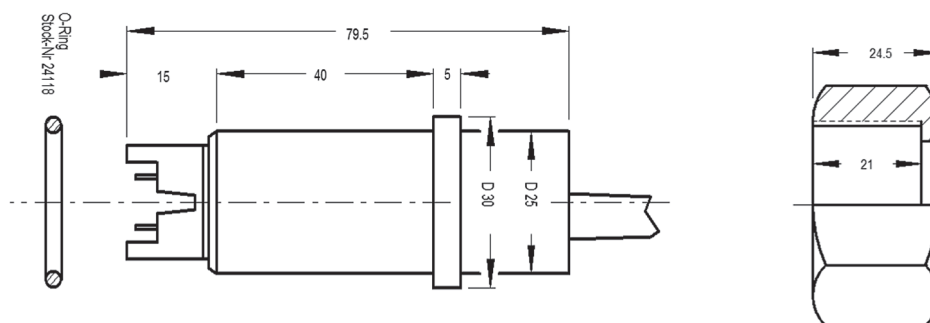
**Flow meter for gaseous media
pressure resistant up to 10 bar
vent-captor 3205.30**



Connection diagram:



Housing dimensions:



weber

Sensors GmbH Strohdeich 32
Sensors Ltd. 66 Eastbourne Road, Southport
Sensors LLC. 4462 Bretton Court, Building 1, Suite 7

DE-25377 Kollmar
Merseyside PR8 4DU, UK
Acworth, Georgia 30101, USA

Tel.: +49 (0)4128 - 591 · Fax: - 593
Tel.: +44 (1704) - 551684 · Fax: - 551297
Tel.: +1 (770) 592 - 6630 · Fax: - 592 6640

www.captor.de
info@captor.de
sales@captor.co.uk
sales@captor.com

Technical data subject to alteration! Rev. AB 25.11.20