

Turbine Series - 75900/1000MAX/M/P

FUEL

Specifications:

Diesel Applications

Height: 75900MAX: 16.5" (41.9 cm)
 751000MAX: 22.0" (55.9 cm)
 75900MAXM: 15.8" (40.1 cm)
 751000MAXM: 21.8" (55.4 cm)

Width: 18.75" (47.6 cm) with Bracket

Depth: 10.8" (27.4 cm) with Bracket

Weight: 75900MAX: 23.0 lbs (10.4 kg)
 751000MAX: 30 lbs (13.6 kg)
 75900MAXM: 23.0 lbs (10.4 kg)
 751000MAXM: 30 lbs (13.6 kg)

Valve Male Fittings:
 7/8"-14 UNF-2A
 (SAE J514 37° Flare)

Service Clearance (Top):
 75900MAX: 5.0" (12.7 cm)
 751000MAX: 10.0" (25.4 cm)

Vacuum Installation Recommended
Maximum Head Pressure: 15 psi (1.03 bar)

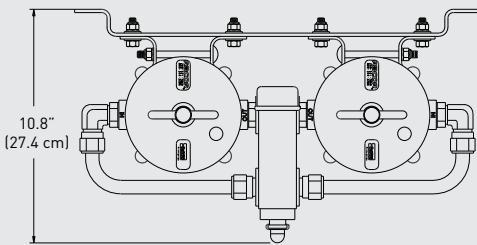
Max Flow Rate:
 75900MAX: 180 gph (682 lph)
 751000MAX: 360 gph (1362 lph)

Create a Part Number

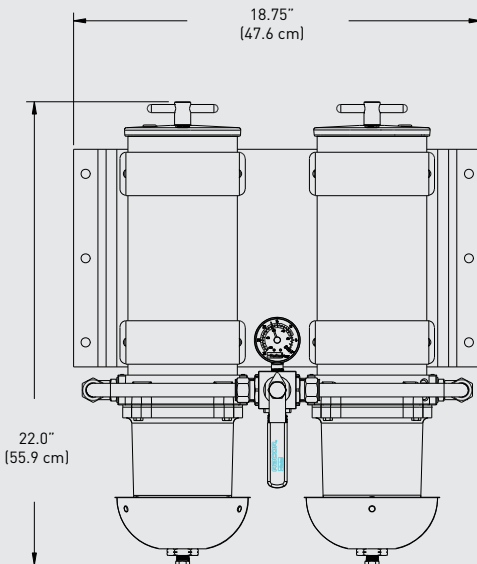
Housing Type	Dual Assembly	Filter Model		Valve Type	Assembly Options	Filtration Rating
	75	Turbine Model 90/180 GPH Flow Rate	Turbine Model 180/360 GPH Flow Rate			
		900MA	1000MA	X	M P	2 10 30

* Probe option available on 751000MAXP10 only.

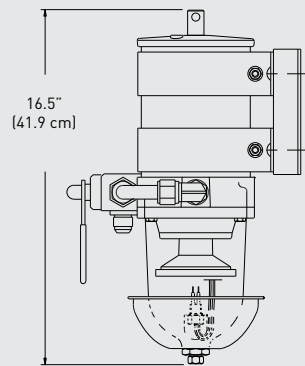
Dimensions:



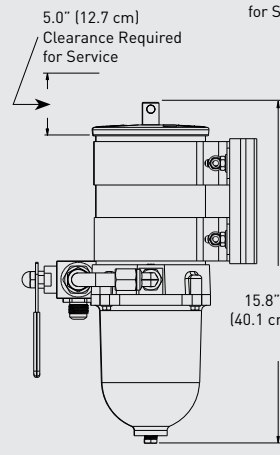
75900MAX/751000MAX Top



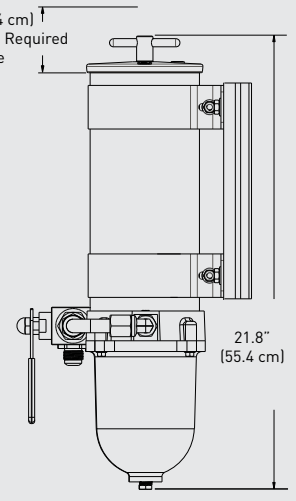
751000MAX Front



75900MAXP Profile



75900MAXM Profile



751000MAXM Profile

ASSEMBLY	DESCRIPTION
75900MAX2	Marine - Dual 900 Turbine Assy., 2 micron Filter
75900MAX10	Marine - Dual 900 Turbine Assy., 10 micron Filter
75900MAX30	Marine - Dual Turbine Assy., 30 micron Filter
751000MAX2	Marine - Dual 1000 Turbine Assy., 2 micron Filter
751000MAX10	Marine - Dual 1000 Turbine Assy., 10 micron Filter
751000MAX30	Marine - Dual 1000 Turbine Assy., 30 micron Filter
75900MAXM2	Marine - Metal Bowl - Dual 900 Turbine Assy., 2 micron Filter
75900MAXM10	Marine - Metal Bowl - Dual 900 Turbine Assy., 10 micron Filter
75900MAXM30	Marine - Metal Bowl - Dual 900 Turbine Assy., 30 micron Filter
751000MAXM2	Marine - Metal Bowl - Dual 1000 Turbine Assy., 2 micron Filter
751000MAXM10	Marine - Metal Bowl - Dual 1000 Turbine Assy., 10 micron Filter
751000MAXM30	Marine - Metal Bowl - Dual 1000 Turbine Assy., 30 micron Filter
751000MAXP10	Marine - Dual 1000 Turbine Assy., Water Sensor Probe, 10 micron Filter



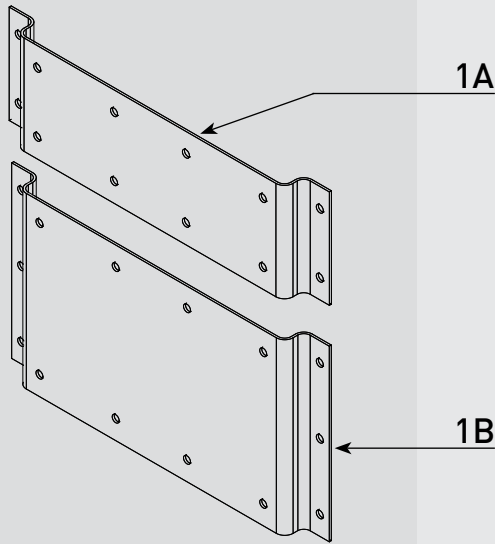
RACOR®

DUAL ASSEMBLIES

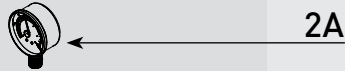
PARTS

Turbine Series - 75900/1000MAX/M/P

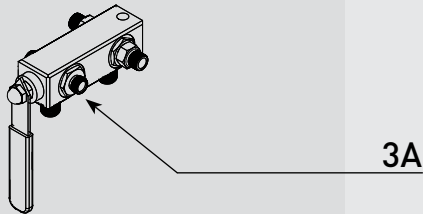
1



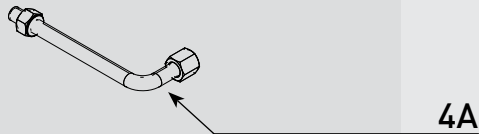
2



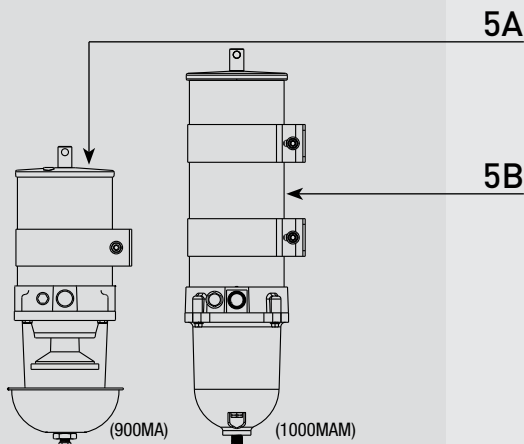
3



4



5



See **RSL0293**
For 900MA/1000MA Parts Breakdown

Part #	Description
1A	Mounting Bracket - 75900MAX - Bracket only (Beige Color)
1B	Mounting Bracket - 751000MAX - Bracket only (Beige Color)
2A	RK19669 RK19667 Vacuum Gauge (30" Hg) - 3 needles: Theshold (red), Max Change Out (Red - Adjustable), Gauge (Black) <i>Optional</i> - Compound Gauge Kit (Vacuum 30" HG / Pressure 15psi)
3A	RK 19473 RK 19506 6-Port Ball Valve Valve Service Kit - Includes Handle/Stem/O-rings/Gasket
4A	RK 19475 Rigid Tubing Kit - Includes (1ea.) Tube, Ferrule and Fitting
5A	Turbine Fuel Filter - 900MA Series See Cutsheet RSL0293 for available Parts and Accessories
5B	Turbine Fuel Filter - 1000MA Series See Cutsheet RSL0293 for available Parts and Accessories

Accessories and Parts Available (Not Shown)

6A	RK 11-1952 Complete Seal Service Kit - 900MA/1000MA Series Filters <i>(Requires 2)</i>
6B	RK 21069 RK23191 WIF Probe (pig tail) - 1/2"-20 UNF - Requires 6C WIF Probe (Steel/pig tail) - 1/2"-20 UNF - Requires 6C
6C	RK 14329 RK 14321 Water Detection Module - 12 vdc Water Detection Module - 24 vdc
7A	Bowl Gasket - Included in 6A
7B	RK 11-1606-1 MA Bowl Kit (Clear) - Includes 7A, 7E & 7H (Gasket & O-ring only)
7C	RK 11734-03 MAM Bowl Kit (Metal) - Includes 7A, 7D & 7G
7D	RK 20022 Metal Bowl Plug Kit (MAM) (O-ring Included in 6A)
7E	RK 20126 Plastic Bowl Plug Kit (MA) (O-ring Included in 6A)
7F	RK 11868 Heat Deflector Kit (MA) - Includes 7H
7G	Drain Plug (MAM) - <i>Contact Technical Support</i>
7H	RK 11-1910 Drain Plug Kit (MA) (Gasket & O-ring Included in 6A)
8A	2040V2 2040V10 2040V30 900MA/MAM Replacement Element 2 micron 900MA/MAM Replacement Element 10 micron 900MA/MAM Replacement Element 30 micron
8B	2020V2 2020V10 2020V30 1000MA/MAM Replacement Element 2 micron 1000MA/MAM Replacement Element 10 micron 1000MA/MAM Replacement Element 30 micron

Valve Operations

