

## VEGADIS 81

### External display and adjustment unit for plics® sensors



#### Application area

The VEGADIS 81 is an external, digital display and adjustment unit for all plics® sensors. The instrument is mounted in an easily accessible position up to 50 m away from the sensor. It is directly connected to the sensor electronics and also powered by it.

#### Your benefit

- Measured value indication and sensor adjustment in easily accessible position
- Good readability of the display in clear text with graphic support (display and adjustment module PLICSCOM)
- Simple adjustment via 4 keys and clearly structured program guidance
- Reading and adjustment comfort through installation in 90° steps

#### Function

VEGADIS 81 is connected to the sensor with a screened four-wire standard cable up to 50 m long. Communication is carried out via this cable and the VEGADIS 81 is also powered by the sensor.

#### Technical data

##### General data

|  |                                    |
|--|------------------------------------|
| Materials  |                                    |
| – Housing  | plastic PBT, Alu die-casting, 316L |
| – Inspection window in housing lid for display and adjustment module | Polycarbonate (UL-746-C listed)    |
| – Ground terminal  | 316Ti/316L                         |
| Weight approx.   | 0.35 kg (0.772 lbs)                |

##### Adjustment circuit

|   |                                  |
|---|----------------------------------|
| Connection to                                       | VEGA plics® sensors              |
| Data transmission                                   | Digital (I <sup>2</sup> C-Bus)   |
| Cable length (depending on the sensor version) max. | 25 m (82.02 ft), 50 m (164.0 ft) |

##### Display and adjustment module

|   |                          |
|---|--------------------------|
| Indication                              | LC display in dot matrix |
| Adjustment elements                     | 4 keys                   |
| Protection rating                       |                          |
| – unassembled                           | IP 20                    |
| – mounted into VEGADIS 81 without cover | IP 40                    |

##### Materials

|                     |                |
|---------------------|----------------|
| – Housing           | ABS            |
| – Inspection window | Polyester foil |

##### Electromechanical data

###### Options of the cable entry

|               |                                 |
|---------------|---------------------------------|
| – Cable gland | M20 x 1.5 (cable: ø 5 ... 9 mm) |
| – Cable entry | ½ NPT                           |

###### Wire cross-section (spring-loaded terminals)

|                                 |   |
|---------------------------------|---|
| – Massive wire, stranded wire   | 0.2 ... 2.5 mm <sup>2</sup> (AWG 24 ... 14) |
| – Stranded wire with end sleeve | 0.2 ... 1.5 mm <sup>2</sup> (AWG 24 ... 16) |

##### Ambient conditions

|                                   |                                  |
|-----------------------------------|----------------------------------|
| Storage and transport temperature | -40 ... +80 °C (-40 ... +176 °F) |
| Ambient temperature               | -20 ... +70 °C (-4 ... +158 °F)  |

##### Electrical protective measures

|                                      |                                     |
|--------------------------------------|-------------------------------------|
| Protection rating                    |                                     |
| – Housing, plastic                   | IP 66/IP 67, NEMA Type 4X           |
| – Housing Aluminium, stainless steel | IP 66/IP 68 (0.2 bar), NEMA Type 6P |

#### Approvals

You can find detailed information on the existing approvals in the "configurator" on our homepage at [www.vega.com/configurator](http://www.vega.com/configurator).

### Operation

#### Adjustment on VEGADIS 81

The sensor adjustment is carried out via the VEGADIS 81 optionally used in the display and adjustment module PLICSCOM. Another adjustment possibility is via a PC with the adjustment software PACTware and respective DTM. The PC is connected to the VEGADIS 81 via the interface adapter VEGACONNECT.

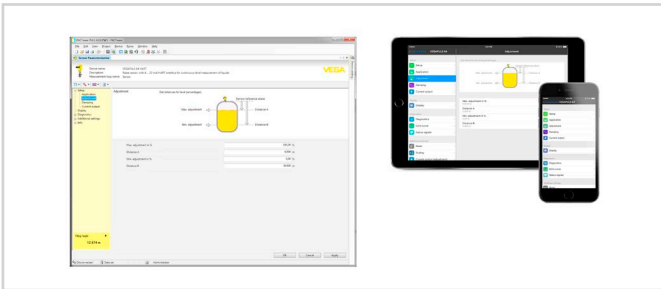
#### Wireless adjustment via Bluetooth

The Bluetooth version of display and adjustment module enables a wireless connection to standard adjustment units. This can be smartphones/tablets with iOS or Android operating system or PCs with PACTware and Bluetooth USB adapter.



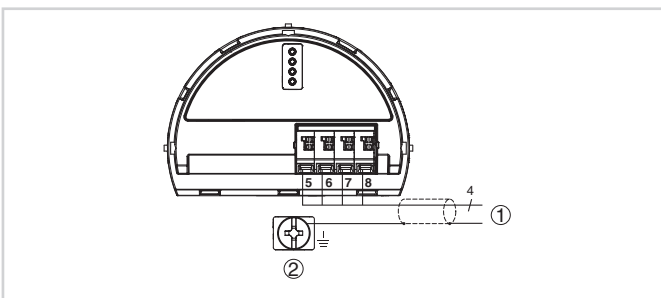
Wireless connection to standard operating devices

Adjustment is hence carried out via a free-of-charge app from the Apple App Store or the Google Play Store or via the adjustment software PACTware and respective DTM.



Adjustment via PACTware or app

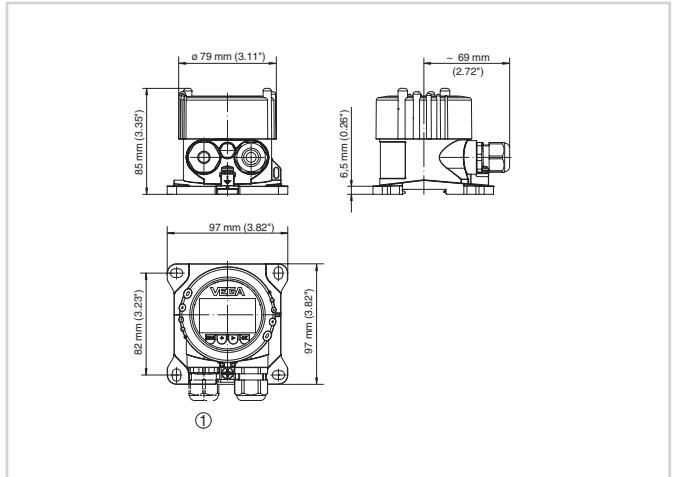
### Electrical connection



Wiring plan VEGADIS 81 for 4 ... 20 mA/HART sensors

- 1 To the sensor
- 2 Ground terminal for connection of the cable screen

### Dimensions



Dimensions VEGADIS 81

- 1 Cable gland with version with heated display and adjustment module

### Information

You can find further information on the VEGA product line on our homepage [www.vega.com](http://www.vega.com).

In the download section under [www.vega.com](http://www.vega.com) you'll find free operating instructions, product information, brochures, approval documents, instrument drawings and much, much more.

### Contact

You can find the VEGA agency serving your area on our homepage [www.vega.com](http://www.vega.com).