

flow-captor 4215.30

The flow-captor type 4215.30 is ideal for all measurement and control tasks within automation processes and other industrial applications where liquid media have to be controlled. The sensor works according to the calorimetric measuring principle which allows the adjustment of the measuring range to a large quantity spectrum. It operates fully electronically and without mechanically moved parts.



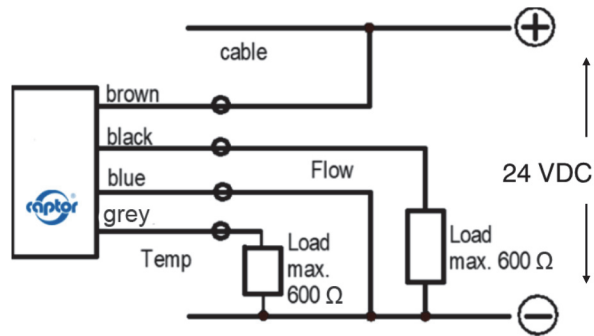
- analog temperature output
- precise flow measurement
- adjustable measuring range
- 4 - 20 mA current output
- robust stainless steel construction (special potting)
- **ISO 9001:2015**

Technical data

Type	4215.30	
Medium	water-based	
Sensor data		
Measuring range	cont. adjustable from 0 - 20 cm/s to 0 - 200 cm/s ¹⁾	cont. adjustable from 0 to 200 cm/s ²⁾
	other range on request	
Set-point range	zero point and range adjustment by potentiometer	
Medium temperature	-10 °C - +80 °C	
Ambient temperature	-10 °C - +60 °C	
Pressure	max. 30 bar	
Response time	2 - 10 sec. depends on measuring conditions	
Linearity deviation	< 5 % most favourable straight line related to the final value	
Repeatability	< 2 %	
Temperature drift	< 0.3 % per Kelvin	
Mechanical data		
Protection class	IP65	
Material housing / sensor	stainless steel AISI 303 (other material on request)	
Material of sensor head	stainless steel AISI 303 (other material on request)	
Installation	by means of union nut G 1" A, SW 37 mm (stainless steel AISI 303)	
Electrical connection	2 m moulded oilflex cable 4 x 0.5 mm ²	
Housing dimensions	see drawing on next page	
Electrical data		
Operating voltage	24 VDC ± 10 %	
Power consumption	approx. 100 - 230 mA (at max. flow/temperature)	
Initial operation	approx. 10 sec. after connection of power	
Flow and temperature output	4 - 20 mA	
Load	max. 600 Ω	
Temperature range	-10 °C - +80 °C	
Protection circuit	reverse polarity & short circuit / overload protected up to max. 30 VDC only	
Output display	green LED	

¹⁾ data relate to water ²⁾ calibrated with insulation oil type "Shell Diala S4 ZX-I"

Connection diagram:



- brown (+ voltage) 24V DC
- black (flow) 4 – 20mA
- grey (temp.) 4 – 20mA
- blue (- voltage) ground

Housing dimensions:

