

STAPLES & PFEIFFER

PRODUCT OF

THE HELLAN® STRAINER COMPANY

MARINE STRAINERS

APPLICATIONS:
ALL COMMERCIAL &
MILITARY MARINE

MATERIALS:
BRONZE (ALL GRADES),
STAINLESS STEEL, OTHER ALLOYS

SIZES:
3/8" TO 30"

CONNECTIONS:
UNION ENDS, SILVER BRAZE,
NPT, FLANGED, ETC.

QUALITY SYSTEM:
ISO-9001:2000, CERTIFIED
BY DNV

SHOCK QUALIFIED
(MIL-S-901D, GRADE A)

**ABS (AMERICAN BUREAU
OF SHIPBUILDING)**

100% AMERICAN MADE

US NAVY & USCG APPROVED

**TOUGH, DEPENDABLE,
SHIP PROVEN**

LIFE CYCLE COST SAVINGS

**WE OFFER THE
FOLLOWING STRAINERS:**

DUPLEX: MIL-S-17849

SIMPLEX: MIL-S-16293

Y STRAINERS: MIL-S-2953

Y STRAINERS: MIL-S-16293

Y STRAINERS STD DWG

803-841499



www.hellanstrainer.com

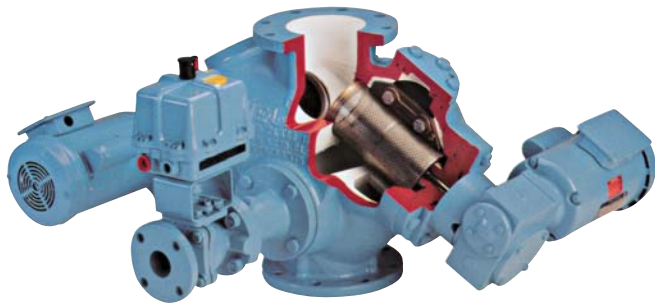
ADDITIONAL HELLAN PRODUCTS

The Hellan Strainer Company has earned a reputation for pride, quality, and fast lead-times.

FLUID STRAINERS FOR MARINE AND INDUSTRIAL APPLICATIONS

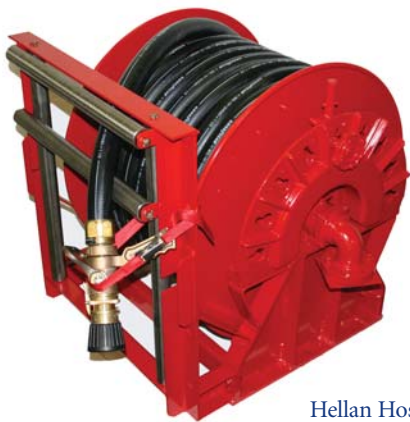


Hellan Manual Strainer



Hellan Automatic Strainer

AFFF FIRE FIGHTING AND REFUELING HOSE REELS



Hellan Hose Reel



The Hellan Strainer Company

subsidiary of
Industrial Manufacturing Company LLC

3249 East 80th Street

Cleveland, Ohio 44104 (USA)

Phone: 216/206-4200

Fax: 216/206-4242

Toll Free: 888-4-HELLAN

Web: www.hellanstrainer.com

Distributed By:

THE HELLAN® STRAINER COMPANY

CLEVELAND, OHIO USA
PHONE (216) 206-4200 • FAX (216) 206-4242
WWW.HELLANSTRAINER.COM

STAPLES & PFEIFFER

PRODUCT OF

THE HELLAN® STRAINER COMPANY

MODEL 123 BRONZE 150 LB. FLANGED DUPLEX STRAINER WITH SWING YOKE COVER

MATERIALS (COVER & BODY)

Bronze: ASTM B61,
ASTM C-958

FLANGES

ANSI
DIN
Navy (MIL-F-20042D)

APPROVALS

ABS
US Navy
Lloyd's Register

SCREEN MATERIALS

316 SS, Monel

CONNECTION SIZES

3/4" – 8" (20mm – 200mm)

SCREENS

20 – 100 mesh
1/32" – 1/4" perforated

MILITARY STANDARDS

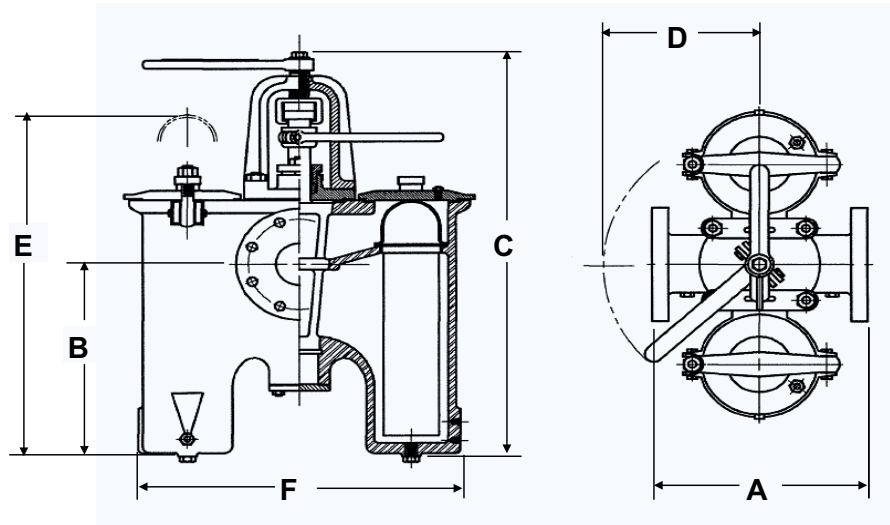
MIL-S-17849



Duplex strainers are used in lines that continuously run and do not need to be shut down. The duplex strainer uses a tapered plug design with twin baskets, and these strainers have a diverter handle to switch from one side to the other. The one basket not in use can be removed and cleaned without interrupting the pipeline flow. S & P duplex strainers use a thicker wall thickness, and offered in 150# and 250# class. Strainers have been shock tested to MIL-S-901D.

**MODEL 123 BRONZE 150 LB. FLANGED
DUPLEX STRAINER WITH SWING YOKE COVER**

SIZES 1" – 8"
DIMENSIONS AND WEIGHTS



SIZE	in	1	1-1/4	1-1/2	2	2-1/2	3	4	5	6	8	
	mm		25	30	40	50	65	80	100	125	150	200
A	in	7-3/8	7-3/8	8-7/8	10-1/2	11-3/4	11-3/4	16-3/8	17-3/4	20	25-1/2	
	mm	187	187	225	267	298	298	416	451	508	648	
B	in	6-3/4	6-3/4	6-1/2	8-1/2	11-3/4	11-3/4	13-1/4	18	16	24-1/2	
	mm	171	171	165	216	298	298	337	457	406	622	
C	in	12-1/2	12-1/2	13-1/2	20-1/2	27-3/4	27-3/4	31-3/4	37	31	52	
	mm	318	318	343	521	705	705	806	940	787	1320	
D	in	6	6	7	8	13	13	16	17	17-1/2	19	
	mm	152	152	178	203	330	330	406	432	445	483	
E	SCREEN	in	13	13	16	17	28	28	40	48	60	70
	REMOVAL	mm	330	330	406	432	711	711	1020	1220	1524	1778
F	in	10	10	12-1/4	13-1/2	20-5/8	20-5/8	20	26-1/2	32-1/2	43-1/2	
	mm	254	254	311	343	524	524	508	673	825	1105	
WEIGHTS												
	lbs	60	62	75	90	190	198	330	515	710	1575	
	kgs	27	28	34	41	86	90	150	234	322	714	

Approximate Dimensions and Weights. Apply for Certified Drawings.

Manufactured with quality in the USA

STAPLES & PFEIFFER

PRODUCT OF

THE HELLAN® STRAINER COMPANY

MODEL 123JT BRONZE 150 LB. FLANGED DUPLEX STRAINER WITH BOLTED COVER

MATERIALS (COVER & BODY)

Bronze: ASTM B61,
ASTM C-958

FLANGES

ANSI
DIN
Navy (MIL-F-20042D)

APPROVALS

ABS
US Navy
Lloyd's Register

SCREEN MATERIALS

316 SS, Monel
1" – 8" (25mm – 200mm)

SCREENS

20 – 100 mesh
1/32" – 1/4" perforated

MILITARY STANDARDS

MIL-S-17849

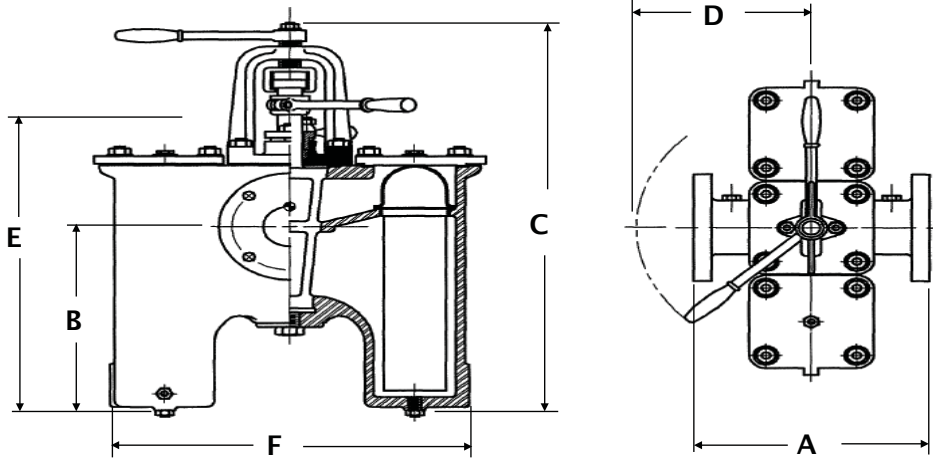


Duplex strainers are used in lines that continuously run and do not need to be shut down. The duplex strainer uses a tapered plug design with twin baskets, and these strainers have a diverter handle to switch from one side to the other. The one basket not in use can be removed and cleaned without interrupting the pipeline flow. S & P duplex strainers use a thicker wall thickness, and are offered in 150# and 250# class. Strainers have been shock tested to MIL-S-901D.

MODEL 123JT – DUPLEX STRAINER

MODEL 123JT BRONZE 150 LB. FLANGED DUPLEX STRAINER WITH BOLTED COVER

SIZES 1" – 8"
DIMENSIONS AND WEIGHTS



SIZE	in	1	1-1/4	1-1/2	2	2-1/2	3	4	5	6	8	
	mm		25	30	40	50	65	80	100	125	150	200
A	in	8-1/8	9-1/8	8-3/8	10-5/8	12-1/4	14	16	17-3/4	21-3/8	25-1/4	
	mm	206	232	213	270	311	356	406	451	543	641	
B	in	6-1/2	5-7/16	5-7/16	8-1/2	11-1/4	11-1/8	13-1/4	13	24-3/4	24	
	mm	165	138	138	216	286	283	337	330	629	610	
C	in	15-1/2	15-13/16	15-13/16	21-1/2	27-1/4	27	31-3/4	31	42-7/8	43-1/2	
	mm	394	402	402	546	692	686	806	787	1089	1105	
D	in	8	8	8	11	12	15	15-1/2	16-1/2	16-1/2	20	
	mm	203	203	203	279	305	381	394	419	419	508	
E	SCREEN	in	15	13-1/2	20-3/4	20-3/4	29-1/2	25-1/4	48	32-1/2	48	52
	REMOVAL	mm	381	343	527	527	750	641	1219	826	1219	1321
F	in	10-1/2	14	14	13-1/4	18	23-3/4	20	26-1/2	31-3/4	43-1/4	
	mm	267	356	356	337	457	603	508	673	806	1099	
WEIGHTS												
	lbs	74	110	110	130	200	280	340	475	720	1475	
	kgs	34	50	52	59	91	127	154	216	327	669	

Approximate Dimensions and Weights. Apply for Certified Drawings.

Manufactured with quality in the USA

CLEVELAND, OHIO USA
PHONE (216) 206-4200 • FAX (216) 206-4242
WWW.HELLANSTRAINER.COM

THE HELLAN® STRAINER COMPANY

STAPLES & PFEIFFER

PRODUCT OF

THE HELLAN® STRAINER COMPANY

MODEL 123JT BRONZE 250 LB. FLANGED DUPLEX STRAINER WITH BOLTED COVER

MATERIALS (COVER & BODY)

Bronze: ASTM B61,
ASTM C-958

FLANGES

ANSI
DIN
Navy (MIL-F-20042D)

APPROVALS

ABS
US Navy
Lloyd's Register

SCREEN MATERIALS

316 SS, Monel

CONNECTION SIZES

1" – 8" (25mm – 200mm)

SCREENS

20 – 100 mesh
1/32" – 1/4" perforated

MILITARY STANDARDS

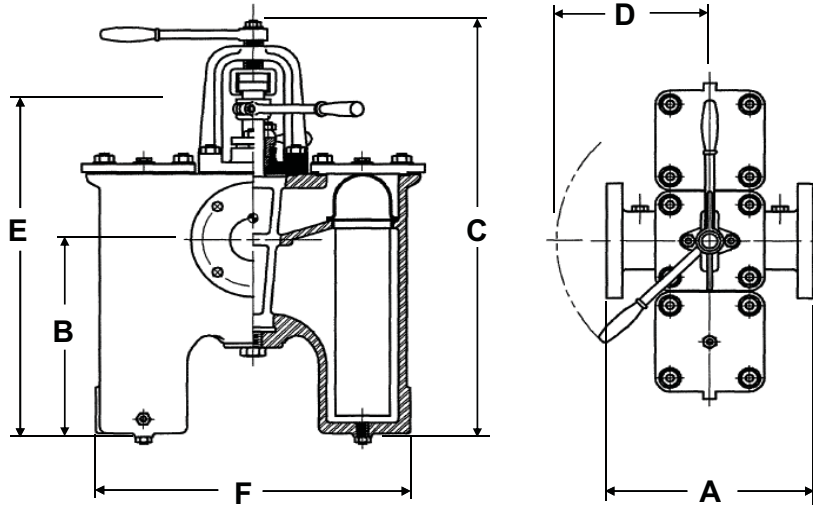
MIL-S-17849



Duplex strainers are used in lines that continuously run and do not need to be shut down. The duplex strainer uses a tapered plug design with twin baskets, and these strainers have a diverter handle to switch from one side to the other. The one basket not in use can be removed and cleaned without interrupting the pipeline flow. S & P duplex strainers use a thicker wall thickness, and are offered in 150# and 250# class. Strainers have been shock tested to MIL-S-901D.

**MODEL 123JT BRONZE 250 LB. FLANGED
DUPLEX STRAINER WITH BOLTED COVER**

SIZES 1" – 8"
DIMENSIONS AND WEIGHTS



SIZE	in	1	1-1/4	1-1/2	2	2-1/2	3	4	5	6	8
	mm	25	30	40	50	65	80	100	125	150	200
A	in	8-1/8	9-1/8	9-1/8	10-1/2	12	12	17-3/4	22-5/8	25-3/4	26
	mm	206	232	232	267	305	305	451	575	654	660
B	in	6-1/2	5-7/16	5-7/16	8-1/2	11-1/4	11-1/4	13	19-1/2	25	25
	mm	165	138	138	216	286	286	330	495	635	635
C	in	15-1/2	15-13/16	15-13/16	21-1/2	27-1/4	27-1/4	31	40-1/2	42	44-1/2
	mm	394	402	402	546	692	692	787	1029	1067	1130
D	in	8	8	8	9	12	12	16-1/2	16-1/2	20	20
	mm	203	203	203	229	305	305	419	419	508	508
E	SCREEN	in	15	13	13	19-3/4	29-1/2	29-1/2	32-1/2	48	54
	REMOVAL	mm	381	330	330	502	749	749	826	1219	1372
F	in	10-1/2	14	14	13-1/2	18	18	26-1/2	32-1/2	43-1/4	43-1/4
	mm	267	356	356	343	457	457	673	826	1099	1099
WEIGHTS											
	lbs	74	110	110	145	200	200	475	720	1455	1475
	kgs	34	50	50	66	91	91	216	327	660	670

Approximate Dimensions and Weights. Apply for Certified Drawings.

Manufactured with quality in the USA

STAPLES & PFEIFFER

PRODUCT OF

THE HELLAN® STRAINER COMPANY

MODEL 135B BRONZE 150 LB. FLANGED SIMPLEX STRAINER WITH BOLTED COVER

MATERIALS (COVER & BODY)

Bronze: ASTM B61,
ASTM C-958

FLANGES

ANSI
DIN
Navy (MIL-F-20042D)

APPROVALS

ABS
US Navy
Lloyd's Register

SCREEN MATERIALS

316 SS, Monel

CONNECTION SIZES

1/2" – 16" (15mm – 406mm)

SCREENS

20 – 100 mesh
1/32" – 1/4" perforated

MILITARY STANDARDS

MIL-S-16293
MIL-S-2593



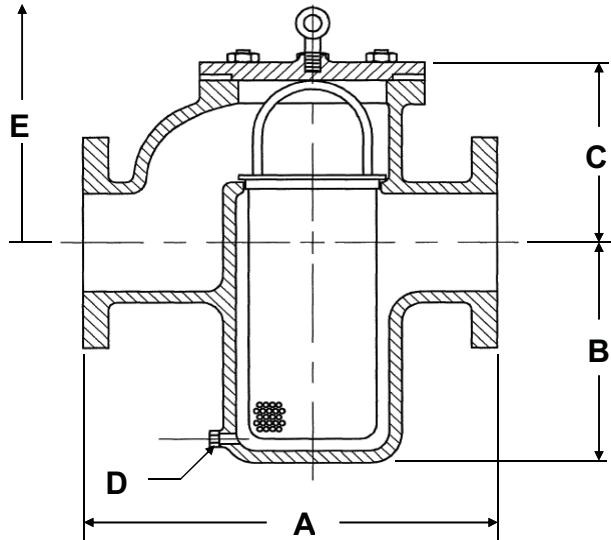
Simplex strainers are used to remove damaging debris from liquid flow that can be interrupted. Baskets are designed for an open area ratio of at least 6:1, which means less operating costs to clean the baskets. The heavy-duty wall thickness offers lower life cycle costs. Strainers have been shock tested to MIL-S-901D.

MODEL 135B – SIMPLEX STRAINER

MODEL 135B BRONZE 150 LB. FLANGED SIMPLEX STRAINER WITH BOLTED COVER

SIZES 1/2" – 16"
DIMENSIONS AND WEIGHTS

SIZE	in	1/2	3/4	1	
	mm	15	20	25	
A	in	7-5/8	7-5/8	7-5/8	
	mm	194	194	194	
B	in	4	4	4	
	mm	102	102	102	
C	in	3	3	3	
	mm	76	76	76	
D	in	1/4	1/4	1/4	
	mm	6	6	6	
E	SCREEN	in	11	11	11
	REMOVAL	mm	279	279	279
WEIGHTS					
	lbs	8	9	10	
	kgs	3.6	4.1	4.5	



SIZE	in	1-1/4	1-1/2	2	2-1/2	3	4	5	6	8	10	12	14	16	
	mm	32	40	50	65	75	100	125	150	200	250	300	350	400	
A	in	7-5/8	9	9-3/8	10-1/2	12-1/2	12-1/4	16-1/2	16	24-1/4	30	38-1/4	40	40	
	mm	194	229	238	267	318	311	419	406	616	762	972	1016	1016	
B	in	4	6	6	12-1/2	8	16	17	15	15	19	20	22	25-1/2	
	mm	102	152	152	318	203	406	432	381	381	483	508	559	648	
C	in	3	4	5	6	6	6	6-1/4	10-1/2	10	14-1/2	16-3/4	19-1/2	22	
	mm	76	102	127	152	152	152	159	267	254	368	425	495	559	
D	in	1/4	3/4	3/8	3/4	3/4	3/4	3/4	3/4	3/4	3/4	1-1/2	1-1/2	3/4	
	mm	6	19	10	19	19	19	19	19	19	19	38	38	19	
E	SCREEN	in	11	12-1/8	12-1/2	19	18	24	27-1/4	30-3/4	32	42-1/2	50-3/4	56-1/2	57-1/2
	REMOVAL	mm	279	308	318	483	457	610	692	781	813	1080	1289	1435	1461
WEIGHTS															
	lbs	11	45	45	60	65	128	200	160	385	850	1468	1600	2483	
	kgs	5	20	20	27	29	58	91	72	175	386	666	726	1126	

Approximate Dimensions and Weights. Apply for Certified Drawings.

Manufactured with quality in the USA

CLEVELAND, OHIO USA
PHONE (216) 206-4200 • FAX (216) 206-4242
WWW.HELLANSTRAINER.COM

THE HELLAN® STRAINER COMPANY

STAPLES & PFEIFFER

PRODUCT OF

THE HELLAN® STRAINER COMPANY

MODEL 140-UE/SW BRONZE SOCKET WELD UNION END Y STRAINER

MATERIALS (COVER & BODY)

Bronze: ASTM B61,
ASTM C-958

UE/SW (UNION END/SOCKET WELD)

APPROVALS

ABS
US Navy
Lloyd's Register

SCREEN MATERIALS

316 SS, Monel

CONNECTION SIZES

3/8" – 2-1/2"
(10mm – 65mm)

SCREENS

20 – 100 mesh
1/32" – 1/4" perforated

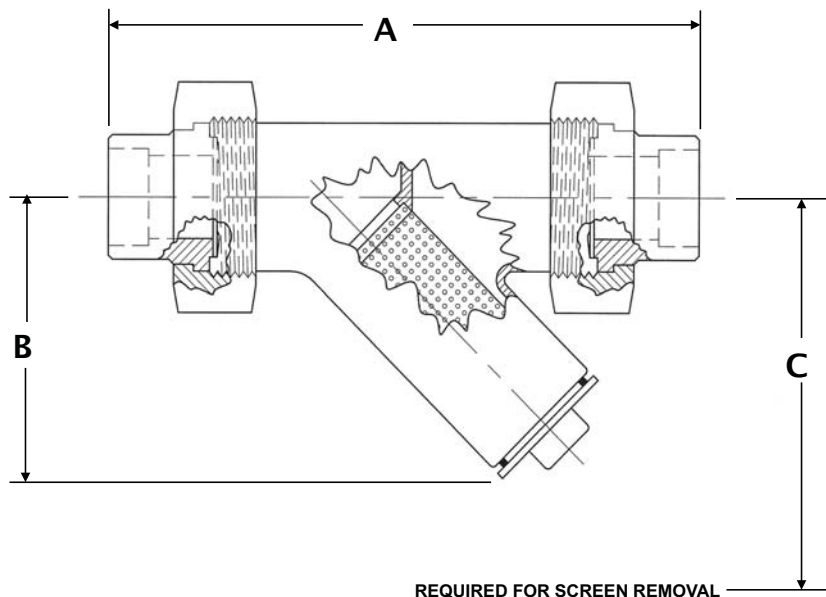
MILITARY STANDARDS

MIL-S-2953
MIL-S-16293



Y-strainers are used in removing solids from liquid, gas, or steam applications in small volumes. Y-strainers can be fitted with a blow off connection on the cover, to permit cleaning the screen without removing the cover. Y-strainers can be provided in either ASTM B61 or ASTM C958 bronze. Strainers have been shock tested to MIL-S-901D.

**MODEL 140-UE/SW BRONZE
SOCKET WELD UNION END Y STRAINER**
SIZES 3/8" – 2-1/2"
DIMENSIONS AND WEIGHTS



SIZE	in	3/8	1/2	3/4	1	1-1/4	1-1/2	2	2-1/2	
	mm	10	15	20	25	30	40	50	65	
A	in	4-7/16	5	5-3/4	6-5/16	7-5/16	7-11/16	8-15/16	10-1/4	
	mm	113	127	146	160	186	195	227	260	
B	in	2-1/8	2-1/2	2-7/8	3-1/4	4-1/4	4-1/2	5-7/8	7-3/4	
	mm	54	64	73	83	108	114	149	197	
C	SCREEN	in	3-5/8	4-1/4	4-15/16	5-7/8	7-3/8	8-1/4	10-13/16	12-1/2
	REMOVAL	mm	92	108	125	149	187	210	275	318
WEIGHTS										
	lbs	1.8	2.2	3.8	6.0	8.8	11.5	14.3	17.8	
	kgs	0.8	1.0	1.7	2.7	4.0	5.2	6.5	8.1	

Approximate Dimensions and Weights. Apply for Certified Drawings.

Manufactured with quality in the USA

STAPLES & PFEIFFER

PRODUCT OF

THE HELLAN® STRAINER COMPANY

MODEL 140-SB BRONZE Y STRAINER

MATERIALS (COVER & BODY)

Bronze: ASTM B61,
ASTM C-958

SB (SIL BRAZE)
per MIL-S-1183

APPROVALS
ABS
US Navy
Lloyd's Register

SCREEN MATERIALS
316 SS, Monel

CONNECTION SIZES
3/8" – 2-1/2"
(10mm – 65mm)

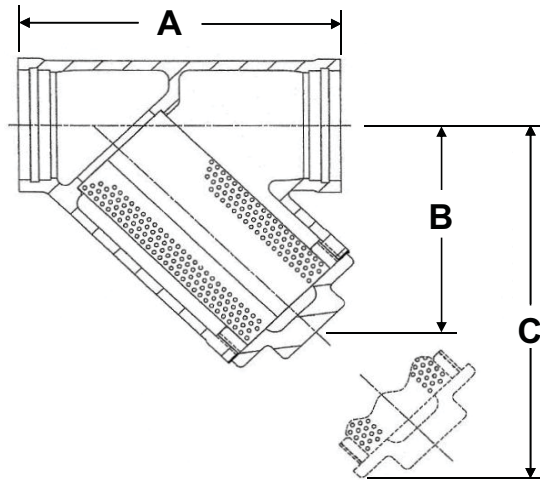
SCREENS
20 – 100 mesh
1/32" – 1/4" perforated

MILITARY STANDARDS
MIL-S-2953
MIL-S-16293



Y-strainers are used in removing solids from liquid, gas, or steam applications in small volumes. Y-strainers can be fitted with a blow off connection on the cover, to permit cleaning the screen without removing the cover. Y-strainers can be provided in either ASTM B61 or ASTM C958 bronze. Strainers have been shock tested to MIL-S-901D.

**MODEL 140-SB
BRONZE Y STRAINER**
SIZES 3/8" – 2-1/2"
DIMENSIONS AND WEIGHTS



MODEL 140-SB

		MODEL 140-SB							
SIZE	in	3/8	1/2	3/4	1	1-1/4	1-1/2	2	2-1/2
	mm	10	15	20	25	30	40	50	65
A	in	2-9/16	2-15/16	3-3/8	4-1/8	4-13/16	5-3/8	6-5/8	7-7/8
	mm	65	75	86	105	122	137	168	200
B	in	1-11/16	1-7/8	2-1/8	2-11/16	3-1/16	3-5/8	4-5/8	5-7/16
	mm	43	48	54	68	78	92	117	138
C	SCREEN in	2-7/16	2-25/32	3-1/4	3-15/16	4-7/8	5-25/32	7-17/32	8-15/16
	REMOVAL mm	62	71	83	100	124	147	191	227
WEIGHTS									
	lbs	0.6	0.9	1.3	2.3	4.4	6.0	10.5	15.3
	kgs	0.2	0.4	0.6	1.1	2.0	2.7	4.7	7.0

Approximate Dimensions and Weights. Apply for Certified Drawings.

Manufactured with quality in the USA

STAPLES & PFEIFFER

PRODUCT OF

THE HELLAN® STRAINER COMPANY

MODEL 141-B BRONZE 150# FLANGED Y STRAINER

MATERIALS (COVER & BODY)

Bronze: ASTM B61,
ASTM C-958

150# CONNECTIONS
ANSI
DIN
Navy (MIL-F-20042D)

APPROVALS
ABS
US Navy
Lloyd's Register

SCREEN MATERIALS
316 SS, Monel

CONNECTION SIZES
1/2" – 10"
(13mm – 250mm)

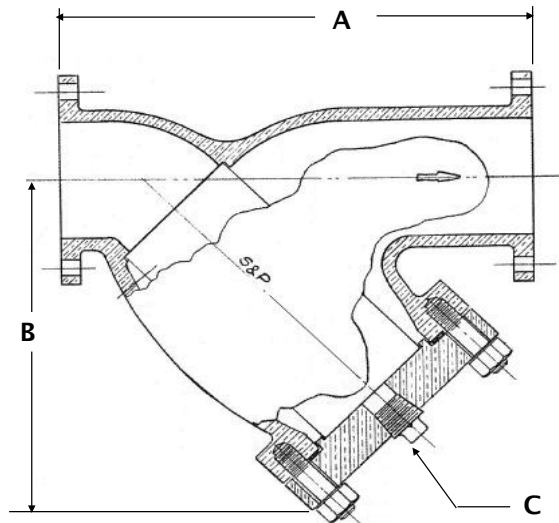
SCREENS
20 – 100 mesh
1/32" – 1/4" perforated

MILITARY STANDARDS
MIL-S-2953
MIL-S-16293



Y-strainers are used in removing solids from liquid, gas, or steam applications in small volumes. Y-strainers can be fitted with a blow off connection on the cover, to permit cleaning the screen without removing the cover. Staples & Pfeiffer Y-strainers are offered in 150# and 250# class. Y-strainers can be provided in either ASTM B61 or ASTM C958 bronze. Strainers have been shock tested to MIL-S-901D.

**MODEL 141-B BRONZE
150# FLANGED Y STRAINER**
SIZES 1/2" – 10"
DIMENSIONS AND WEIGHTS



SIZE	in	1/2	3/4	1	1-1/2	2	2-1/2	3	3-1/2	4	5	6	8	10
	mm	13	20	25	40	50	65	80	88	100	125	150	200	250
A	in	5	5-5/8	5-5/8	8	9-1/2	11	11-3/4	13-5/8	15-3/4	18-1/2	20-1/2	25-1/4	28
	mm	127	143	143	203	241	279	298	346	400	470	530	641	711
B	in	3	5	6-1/2	6-1/4	6-1/2	7-1/2	7-1/2	10	8	12	16	21	23
	mm	76	127	165	159	165	191	191	254	203	305	406	533	584
C	in	1/4*	3/8*	1/2*	3/4	3/4	1-1/4	1-1/4	1-1/4	1-1/2	1-1/2	2	2-1/2	2
	mm	6.4*	9.5*	12.7*	19	19	32	32	32	32	51	51	51	51
WEIGHTS														
	lbs	5	5	10	20	25	31	45	55	75	150	194	340	470
	kgs	2.3	2.3	4.5	9	11	14	20	25	34	68	88	154	213

*NPT Plug – Socket Weld Fitting Available Upon Request.
Approximate Dimensions and Weights. Apply for Certified Drawings.

Manufactured with quality in the USA

CLEVELAND, OHIO USA
PHONE (216) 206-4200 • FAX (216) 206-4242
WWW.HELLANSTRAINER.COM

THE HELLAN® STRAINER COMPANY