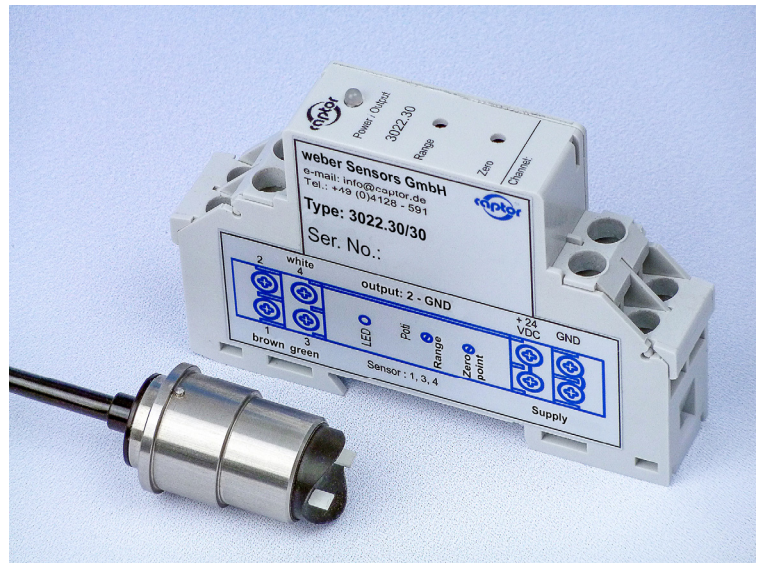


Flow meter for gaseous media



vent-captor 3506 + 3022.30/xx

The vent-captor type 3506 + 3022.30/xx is ideal for all measurement and control tasks in automation processes or other industrial applications. The 3506 + 3022.30/xx is a separate system in "miniature version", which is used where limited space is available for mounting the sensor. The sensor works according to the calorimetric measuring principle, which enables the adjustment of the measuring range to a large quantity spectrum.



- for small pipe diameters from ID19 to ID25
- precise flow measurement linear to flow velocity
- analogue current output
- temperature compensated
- electronic function without mechanically moved parts
- robust industrial design (special potting)
- **ISO 9001:2015**

Technical data

Type	3506 + 3022.30/xx			
Medium	gaseous (aggressive media on request)			
Sensor data *1				
Measuring range	0 - 10 m/s	0 - 20 m/s	0 - 30 m/s	other range
Flow rate with ID20 mm	0 - 188 l/m	0 - 368 l/m	0 - 566 l/m	on request
Adjustability	infinitely variable from 20 % to 100 % of the respective measuring range 2 potentiometers (zero point, range)			
Linearity deviation	< 3 % best fitting slope			
Repeatability tolerance	< 1 %			
Temperature drift	< 0.3 % / K			
Medium temperature	-20 °C to +70 °C			
Ambient temperature	-20 °C to +70 °C			
Pressure	max. 16 bar			

Mechanical data

Protection class	IP65			
Sensor material	Sensing elements ceramic-platinum with overglaze	Housing of sensing elements PET	Sensor body stainless steel AISI 316	Electronic housing Makrolon®
Electrical connection	moulded oilflex cable / 3 x 0.5 mm ² , length 65 cm			
Dimensions and connection diagramm	see back side			

Electrical data

Operating voltage	24 VDC ±10 %
Current consumption	4.3 W - 5.3 W (with max. flow)
Output current	4 - 20 mA
Load	0 - 600Ω

*1 All data refer to medium air at atmospheric pressure

weber

Sensors GmbH Strohdreich 32

Sensors Ltd. 66 Eastbourne Road, Southport

Sensors LLC. 4462 Bretton Court, Building 1, Suite 7

DE-25377 Kollmar

Merseyside PR8 4DU, UK

Acworth, Georgia 30101, USA

Tel.: +49 (0)4128 - 591 · Fax: - 593

Tel.: +44 (1704) - 551684 · Fax: - 551297

Tel.: +1 (770) 592 - 6630 · Fax: - 592 6640

www.captor.de

info@captor.de

sales@captor.co.uk

sales@captor.com

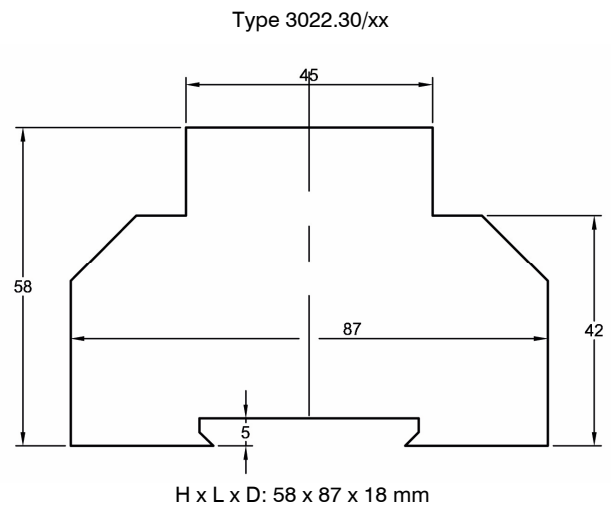
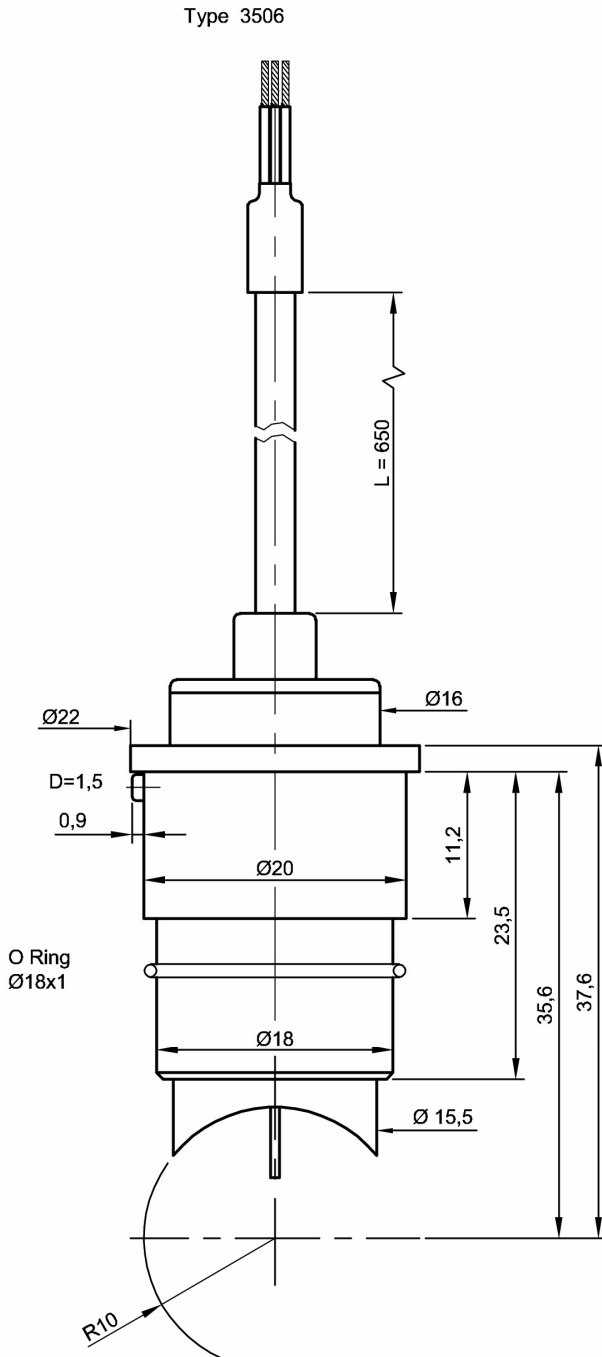
Technical data subject to alteration! Rev. AD 05.06.19

Flow meter for gaseous media

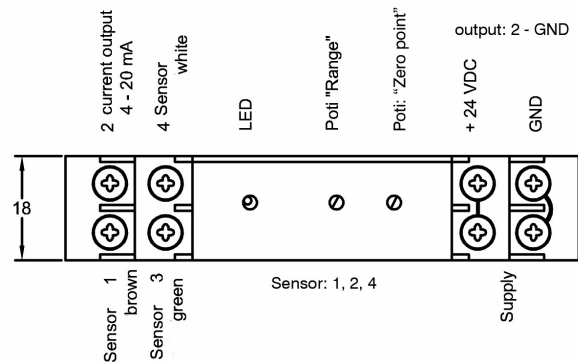
vent-captor 3506 + 3022.30/xx



Dimensions:



Connection diagram:



weber

Sensors GmbH Strohdreich 32

Sensors Ltd. 66 Eastbourne Road, Southport

Sensors LLC. 4462 Bretton Court, Building 1, Suite 7

DE-25377 Kollmar

Merseyside PR8 4DU, UK

Acworth, Georgia 30101, USA

Tel.: +49 (0)4128 - 591 · Fax: - 593

Tel.: +44 (1704) - 551684 · Fax: - 551297

Tel.: +1 (770) 592 - 6630 · Fax: - 592 6640

www.captor.de

info@captor.de

sales@captor.co.uk

sales@captor.com