

Heater Relay Kits

For 12 and 24 Volt DC Applications
Using 100, 150, 200, 300 and 325 Watt Heaters

Read all instructions
before beginning installation.
Improper installation could cause
personal injury or property damage.

A relay kit may be necessary when installing a Racor heater due to power demand. Standard OE fuses, wiring and alternator may be unable to carry the load without overheating or potential shorting, creating a serious condition.

Racor relay kit's provide higher amperage power to the Racor heater using the relay as an independent 'switch'. The relay coil is energized either from a manual toggle switch or by means of activation, such as a thermostat.

It is recommended that one relay kit be used with one Racor single diesel fuel heater. This allows protection from peak use and prevents circuit breaking. Add an additional relay kit if the application has more than one heater in use.

Note: Ensure the electrical supply system can support the power demands of the fuel heater (and other accessories) prior to installation.



Your Application (one relay per heater in use)				
DC Volts	Heater Wattage	Amps	Use Supplied Fuse	Heater Kit Part Number
12	100	8.3	10	RK 11861
12	150	12.5	15	RK 11861
12	200	16.6	20	RK 11861
12	300	25	30	RK 11861
12	325	27	30	RK 11861
12	up to 720	60	60	RK19490-12
24	100	4.2	6	RK 11862
24	150	6.3	10	RK 11862
24	200	8.3	10	RK 11862
24	300	12.5	15	RK 11862
24	325	13.5	15	RK 11862
24	up to 600	25	30	RK19490-24

Note: RK 11861 and RK 11862 include fuse and holder, RK19490 kits have them built in. **Do NOT use Racor fuel heater kits with gasoline or flammable liquids!**

All products manufactured or distributed by Racor are subject to the following, and only the following, LIMITED EXPRESS WARRANTIES, and no others: For a period of one (1) year from and after the date of purchase of a new Racor product, Racor warrants and guarantees only to the original purchaser-user that such a product shall be free from defects of materials and workmanship in the manufacturing process. The warranty period for pumps and motors is specifically limited to ninety (90) days from date of purchase. A product claimed to be defective must be returned to the place of purchase. Racor, at its sole option, shall replace the defective product with a comparable new product or repair the defective product. This express warranty shall be inapplicable to any product not properly installed and properly used by the purchaser-user or to any product damaged or impaired by external forces.

THIS IS THE EXTENT OF WARRANTIES AVAILABLE ON THIS PRODUCT. RACOR SHALL HAVE NO LIABILITY WHATSOEVER FOR CONSEQUENTIAL DAMAGES FLOWING FROM THE USE OF ANY DEFECTIVE PRODUCT OR BY REASON OF THE FAILURE OF ANY PRODUCT. RACOR SPECIFICALLY DISAVOWS ALL OTHER WARRANTIES, EXPRESS OR IMPLIED INCLUDING, WITHOUT LIMITATION, ALL WARRANTIES OF FITNESS FOR A PARTICULAR PURPOSE (EXCEPT FOR THOSE WHICH APPLY TO PRODUCT OR PART THEREOF THAT IS USED OR BOUGHT FOR USE PRIMARILY FOR PERSONAL, FAMILY, OR HOUSEHOLD PURPOSES), WARRANTIES OF DESCRIPTION, WARRANTIES OF MERCHANTABILITY, TRADE USAGE OR WARRANTIES OR TRADE USAGE.

Warning! Failure or improper selection or improper use of the products and/or systems described herein or related items can cause death, personal injury and property damage. This document and other information from Parker Hannifin Corporation, its subsidiaries and authorized distributors provide product and/or system options for further investigation by users having technical expertise. It is important that you analyze all aspects of your application and review the information concerning the product or system in the current product catalog. Due to the variety of operating conditions and applications for these products or systems, the user, through its own analysis and testing, is solely responsible for making the final selection of the products and systems and assuring that all performance, safety and warning requirements of the applications are met. The products described herein, including with limitation, product features, specifications, designs, availability and pricing, are subject to change by Parker Hannifin Corporation and its subsidiaries at any time without notice.

The following statement is required pursuant to proposition 65, applicable in the State of California: 'This product may contain a chemical known to the State of California to cause cancer or reproductive toxicity'.



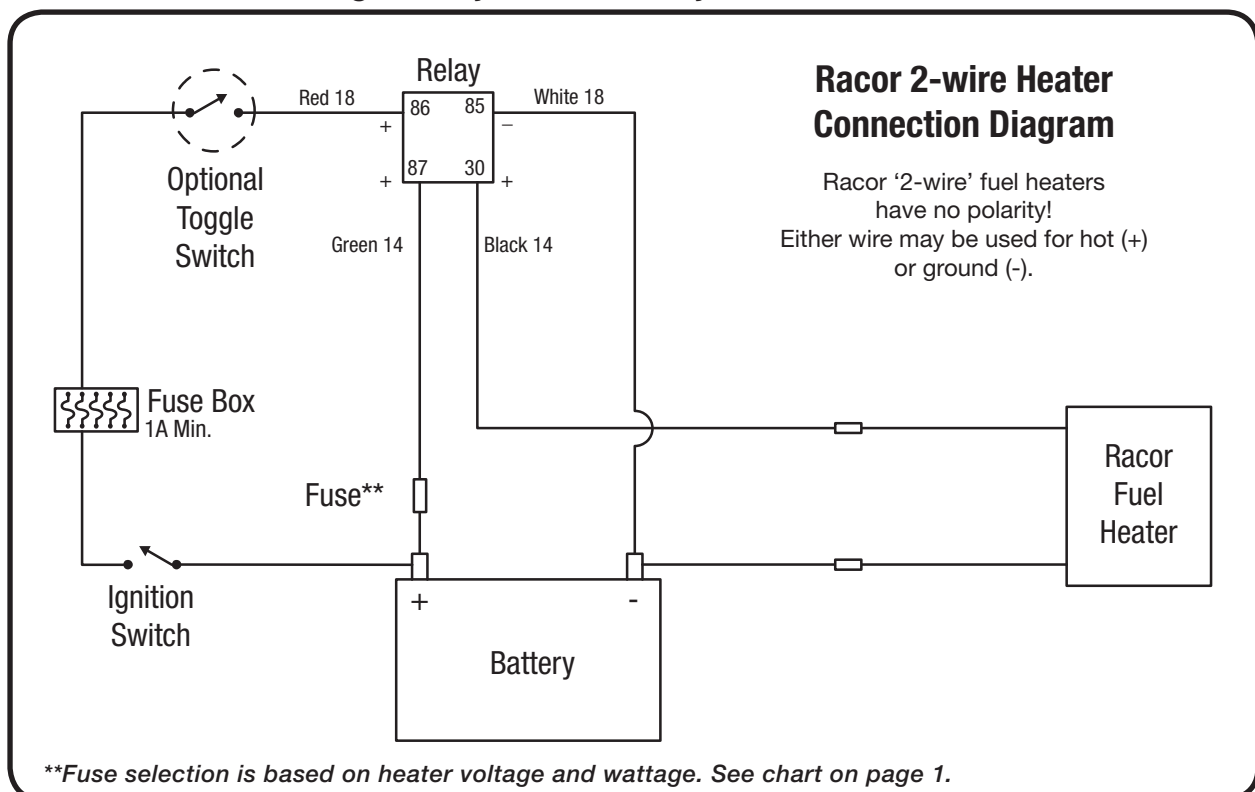
Installation Instructions for all Kits

1. Before beginning, familiarize yourself with these steps and ensure all hardware, wiring, terminals & tools are on hand.
2. Disconnect vehicle battery ground cable before splicing or connecting relay unit to avoid electrical shock or fire.
3. Mount power relay unit in a location which offers protection from harsh environments or contact with moving parts. An engine or cab compartment is suitable.
4. Solder all electrical terminals to reduce electrical resistance and ensure a durable connection.
5. Ensure all wires are routed in a manner to offer the best protection from contact with other moving parts which can lead to chaffing and shorting-out of components.
6. Use provided wire zip-ties to secure wires to avoid vibration and movement—obtain more if needed.
7. Where additional wire lengths may be needed, ensure the same gauge (AWG) and color (if possible) is used. Solder all connections and use shrink tubing to protect exposed wires.
8. **Never operate power relay unit when there is no fuel in heated Racor product.** This can permanently damage heater and related products and potentially start a fire.
9. Follow all installation instructions provided with Racor products.
10. In event of a failed fuse, determine reason for failure before replacing.
11. Always disconnect power from relay unit when servicing it or heated Racor products.
12. Inspect all wiring and connections for un-safe conditions annually, every 12,000 miles, or every 200 hours, whichever occurs first.

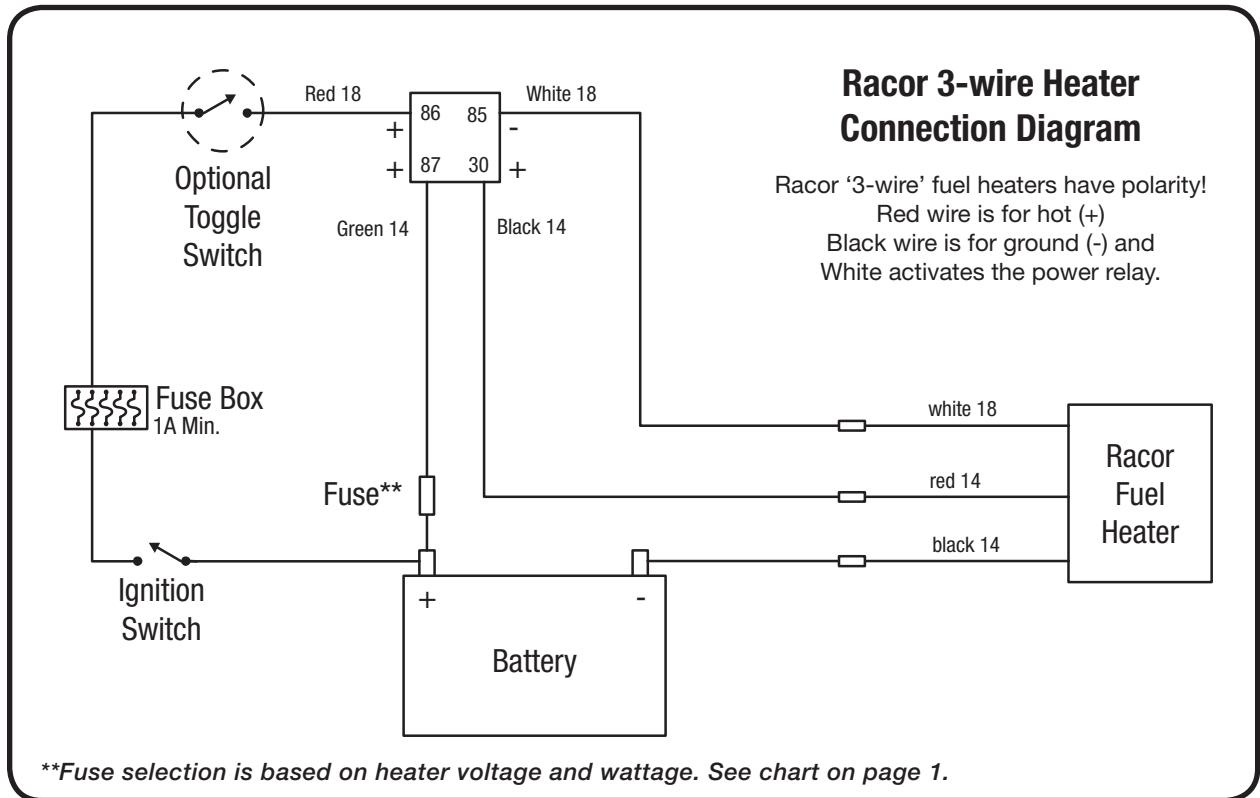
Wiring Diagrams

Refer to applicable diagrams

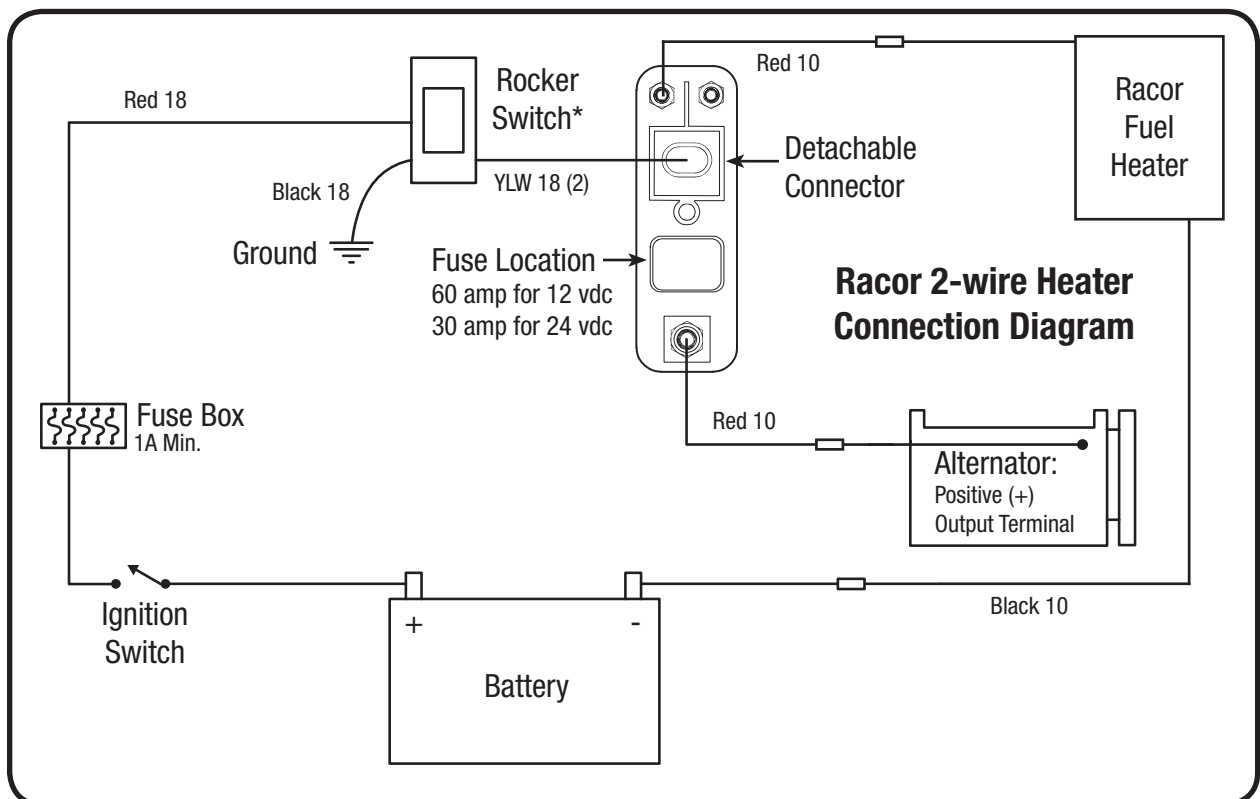
Schematic A - For Light Duty Power Relay Kits: RK 11861 and RK 11862



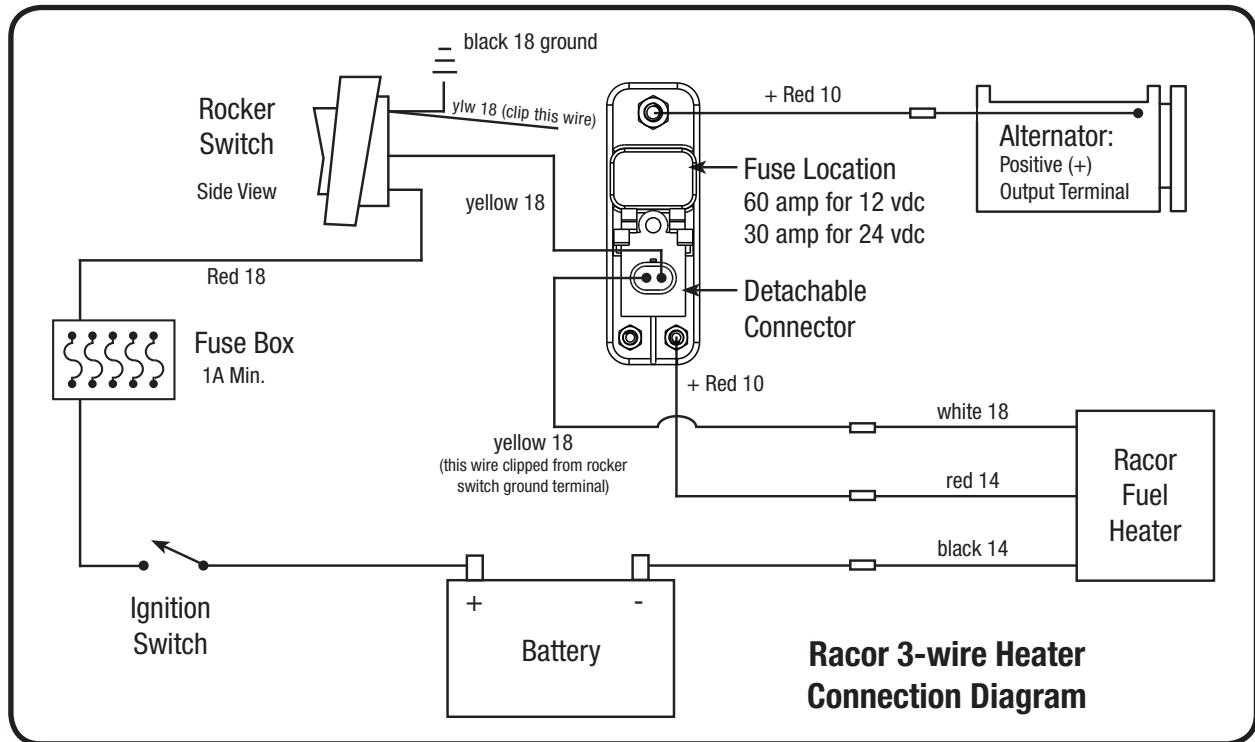
Schematic B - For Light Duty Power Relay Kits: RK 11861 and RK 11862



Schematic C - For Heavy Duty Power Relay Kits: RK 19490-12 and RK 19490-24



Schematic D - For Heavy-Duty Power Relay Kits: RK 19490-12 and RK 19490-24



Contact Information

Parker Hannifin Corporation
Racor Division
 P.O. Box 3208
 3400 Finch Road
 Modesto, CA 95353

phone 800 344 3286
 209 521 7860
 fax 209 529 3278
 racor@parker.com
 parker.com/racor



ENGINEERING YOUR SUCCESS.