

Flow meter for gaseous media



vent-captor system 3506 + 3022.31/xx

The **vent-captor** type 3506 + 3022.31 is a remote flow meter for industrial applications, ideal for small pipe sizes. The measurement of the mass flow bases on the calorimetric principle. The vent-captor is completely resin encapsulated, thus rugged, shock and vibration proof.

- Small pipe diameters
- **Standard ID 20 mm (ID 19 - ID 25)**
- For air and other gaseous media
- Ideally suited to for low flow rates
- Temperature compensated
- Compact, no additional parts
- Voltage output 0,1 - 10 V
- LED for range control
- Rugged industrial version
- **ISO 9001:2015**



Technical Data				
Typ	3506 + 3022.31/xx			
Medium	gaseous (agressive media on request)			
Sensor Data *1				
Measuring range	0 - 10 m/s	0 - 20 m/s	0 - 30 m/s	other range
Measuring at ID 20 mm	0 - 188 l/m	0 - 368 l/m	0 - 566 l/m	on request
Measuring range adjustment	continually adjustable from 20 % to 100 % of the specified measuring range 2 potentiometers (zero point, range)			
Linearity deviation	< 3 % best fitting slope			
Repeatability tolerance	< 1 %			
Temperature drift	< 0.3 % pro Kelvin			
Medium temperature	-20 °C to +70 °C			
Ambient temperature	-20 °C to +70 °C			
Pressure (3506)	max. 16 bar			
Mechanical Data				
Protection class	IP 65			
Material	Sensor probe Ceramic, Platinum with overglaze	Sensor holding PET	Sensor housing stainl. steel WN 1.4571 AISI 316Ti	Electronic housing Makrolon®
Sensor connection	moulded oilflexcable / 3 x 0.5 mm ² , length 65 cm			
Housing dimension and connection diagram	see back page			
Electrical data				
Operating voltage	24 VDC ±10%			
Current consumption	4,3 W - 5,3 W (max. flow)			
Voltage output	0,1 - 10 V			
Load	≥ 100 KΩ			

*1 All data for medium air with normal atmospheric pressure

weber

Sensors GmbH Strohdeich 32
Sensors Ltd. 66 Eastbourne Road, Southport
Sensors LLC. 4462 Bretton Court, Building 1, Suite 7

DE-25377 Kollmar, Germany Tel.: +49 (0)4128 - 591 · Fax: - 593
Merseyside PR8 4DU, UK Tel.: +44 (1704) - 551684 · Fax: - 551297
Acworth, Georgia 30101, USA Tel.: +1 (770) 592 - 6630 · Fax: - 592 6640

www.captor.de
info@captor.de
sales@captor.co.uk
sales@captor.com

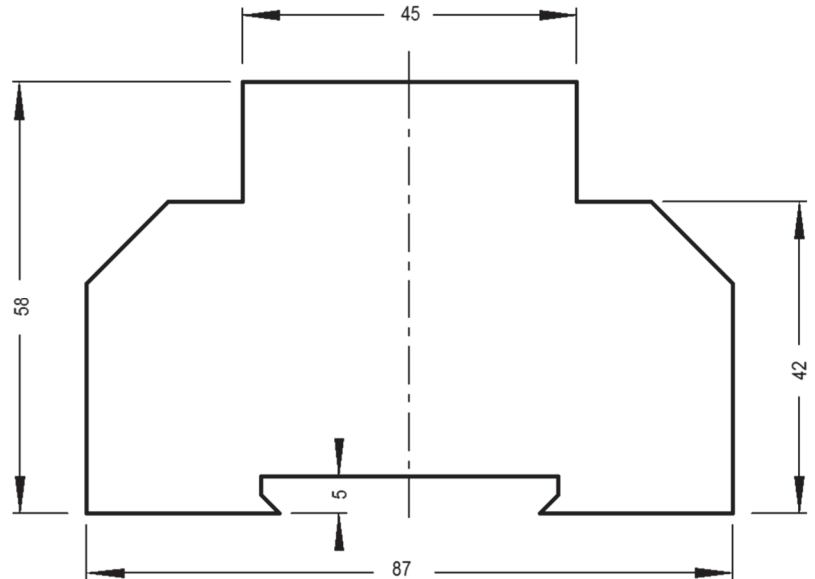
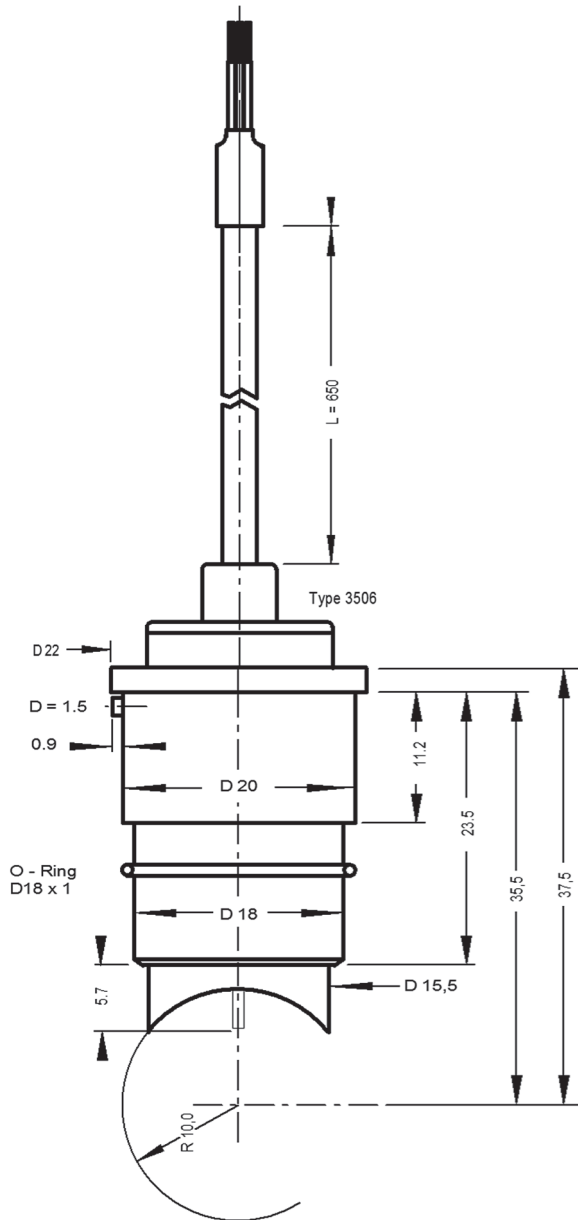
Technical data subject to alteration! Rev. AB 09.03.22

Flow meter for gaseous media



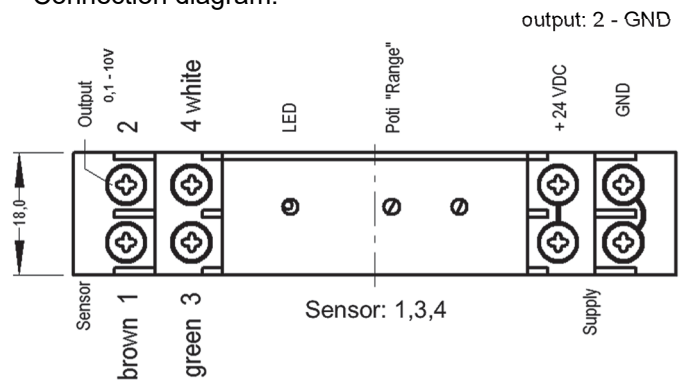
vent-captor system 3506 + 3022.31/xx

Dimensions:



Measure (HxLxD): 58x87x18 mm

Connection diagram:



weber

Sensors GmbH Strohdeich 32
 Sensors Ltd. 66 Eastbourne Road, Southport
 Sensors LLC. 4462 Bretton Court, Building 1, Suite 7

DE-25377 Kollmar, Germany Tel.: +49 (0)4128 - 591 · Fax: - 593
 Merseyside PR8 4DU, UK Tel.: +44 (1704) - 551684 · Fax: - 551297
 Acworth, Georgia 30101, USA Tel.: +1 (770) 592 - 6630 · Fax: - 592 6640

www.captor.de
 info@captor.de
 sales@captor.co.uk
 sales@captor.com

Technical data subject to alteration! Rev. AB 09.03.22