

VEGAPULS WL S 61

4 ... 20 mA

Radarsensor für kontinuierliche Levelmessung von Wasser und Abwasser



Application area

The radar sensor VEGAPULS WL S 61 is the ideal sensor for typical applications in the water and waste water industry. It is particularly suitable for level measurement in water treatment, in pump stations as well as storm water overflow tanks. The flood-proof IP 68 housing ensures a maintenance-free permanent operation.

An integrated Bluetooth module enables the wireless communication with smartphone, tablet or PC.

Your benefit

- Maintenance-free operation thanks to non-contact measuring principle
- High plant availability, because wear and maintenance free
- Exact measuring results independent of product, process and ambient conditions

Function

The sensor emits extremely short microwave pulses through the antenna. The emitted signal is reflected by the medium and received as an echo by the antenna.

The time between the emitted and received signal is proportional to the distance and depends from the filling height. The determined filling height is converted into a respective output signal and output as measured value.

Technical data

Measuring range up to	8 m (26.25 ft)
Deviation	±5 mm
Process fitting	Thread G1½
Process pressure	-1 ... +2 bar/-100 ... +200 kPa (-14.5 ... +29.0 psig)
Process temperature	-40 ... +60 °C (-40 ... +140 °F)
Storage and transport temperature	-40 ... +80 °C (-40 ... +176 °F)
Operating voltage	11.6 ... 35 V DC

Materials

The wetted parts of the instrument are made of Valox PBT or PP. The connection cable is PUR insulated.

You will find a complete overview of the available materials and seals in the "Configurator" at www.vega.com and "Products".

Housing versions

The housing is optimized for applications in the waste water industry and manufactured of Valox PBT. Due to the encapsulated cable gland, protection rating IP 68 (2 bar) is achieved.

Electronics versions

The instrument is available in the 4 ... 20 mA electronics version.

Adjustment

Wireless adjustment via Bluetooth

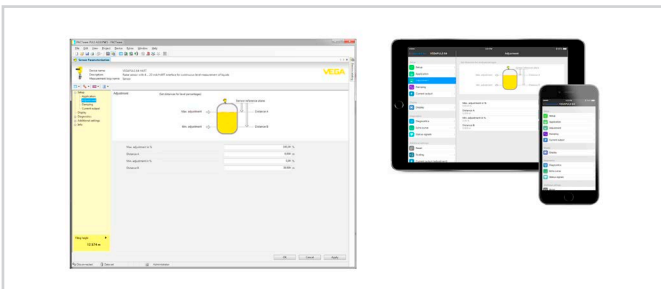
The adjustment of VEGAPULS WL S 61 is carried out via standard adjustment instruments:

- Smartphone/tablet (iOS or Android operating system)
- PC/notebook with Bluetooth USB adapter (Windows operating system)



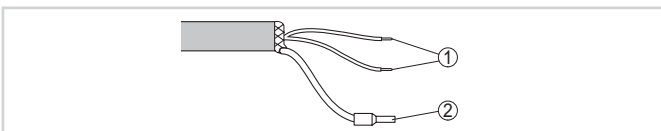
Wireless connection to standard operating devices

Adjustment is hence carried out via a free-of-charge app from the Apple App Store or the Google Play Store or the adjustment software PACTware and respective DTM.



Adjustment via PACTware or app

Electrical connection

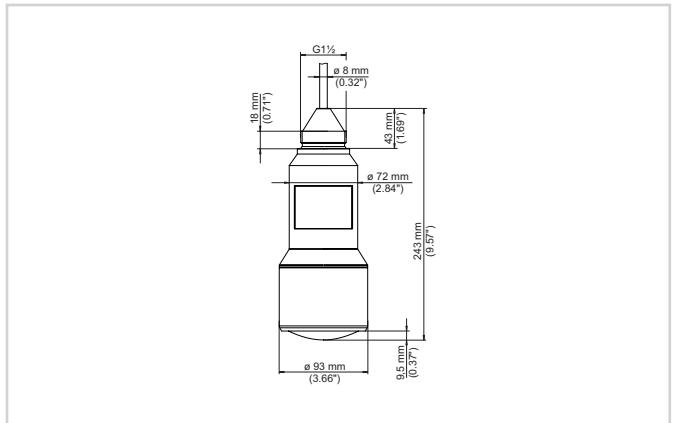


Wire assignment in permanently connected connection cable

- 1 Brown (+) and blue (-) to power supply or to the processing system
- 2 Shielding

You can find details on electrical connection in the instrument operating instructions at www.vega.com/downloads.

Dimensions



Dimensions VEGAPULS WL S 61

Information

You can find further information about the VEGA product line on www.vega.com.

In the download section at www.vega.com/downloads you'll find operating instructions, product information, brochures, approval documents, instrument drawings and much, much more.

There, you will also find GSD and EDD files for Profibus PA systems as well as DD and CFF files for Foundation Fieldbus systems.

Instrument selection

Under "Specify product" on www.vega.com and "Products" you can select the suitable measuring principle and instrument for your application.

You can find detailed information on the instrument versions in the "Configurator" at www.vega.com and "Products".

Contact

You can find your personal contact person at VEGA on our homepage www.vega.com and "Contact".