

vent-captor 3201.5x

The vent-captor type 3201.5x is an air flow monitor which is used where air and other gases in industrial processes need to be monitored.

The compact, electronic sensor works according to the calorimetric measuring principle and without mechanically moving parts. It detects the flow velocity of the medium and converts it into an electrical signal.

- small compact unit
- adjustable switching point
- temperature independent
- robust construction (fully resin encapsulated)
- **ISO 9001:2015**

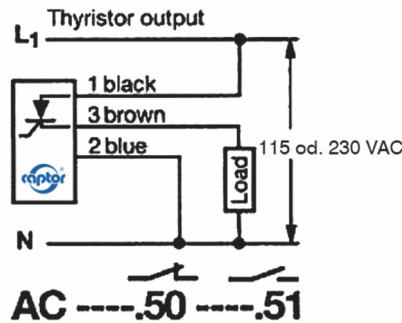


Technical data		
Type	3201.5x	
Medium	gaseous	
Sensor data *		
Switching range	1 m/s to 10 m/s, continuously adjustable	
Factory setting	< 4 m/s	
Medium temperature	-20 °C to +70 °C	
Ambient temperature	-20 °C to +70 °C	
Pressure	with flange: atmospheric, with PG21: max 1 bar	
Switching delay	min. 3 sec. / max. 100 sec. depends on set-point adjustment	
Temperature drift	< 0.5 % per Kelvin	
Repeatability	< 3 %	
Hysteresis	< 30 %	
Mechanical data		
Protection class	IP64	
Material sensor probe	ceramic	
Material housing	Ultradur (PBTP)	
Mounting accessories	flange (included in delivery) / PG21 on request	
Electrical connection	2 m moulded oilflex cable / 3 x 0.5 mm ²	
Housing dimensions	see drawing on second page	
Electrical data		
Type	3201.50	3201.51
Electrical output without flow:	Thyr. n.c. current-carrying	Thyr. n.o. currentless
Operating voltage	115 VAC or 230 VAC +6 % / -15 % (other AC voltages on request)	
Switching current	5 - 200 mA	
Switch-on jumper	max. 90 sec.	

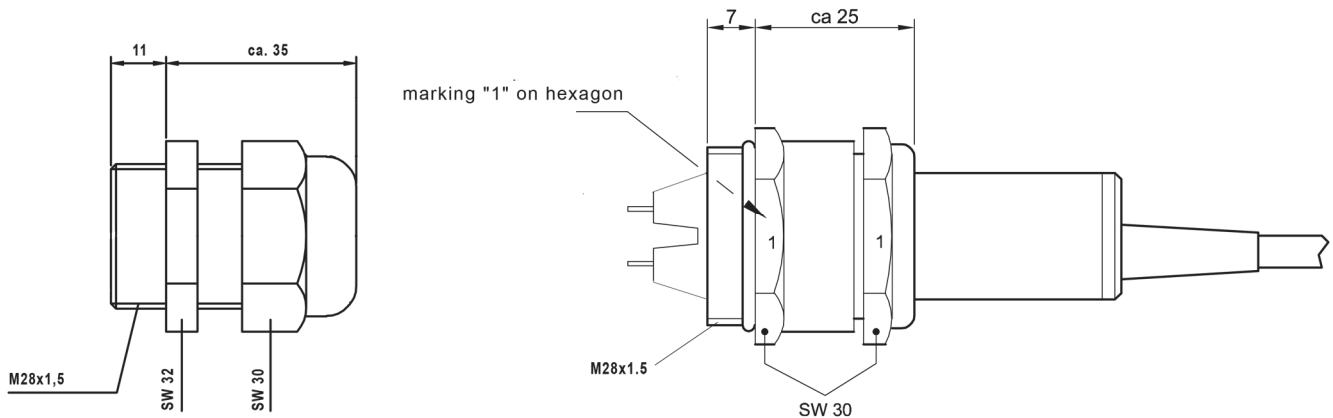
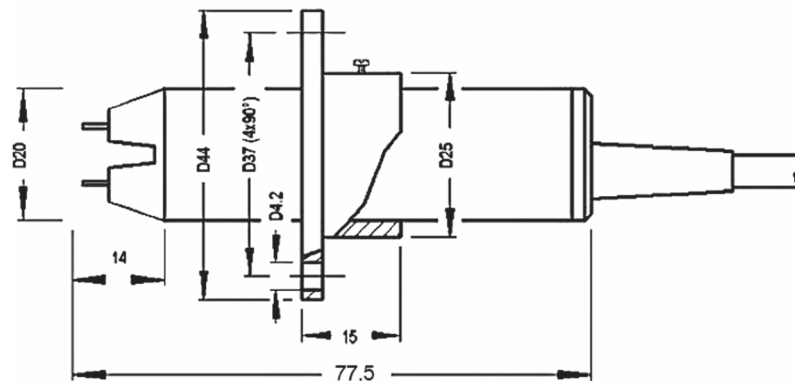
* all data related to medium air

vent-captor 3201.5x

Connection diagram



Body dimensions



with PG21 plastics

with PG21 metal