

Aqua Matic Dual Pass^{V2}

Mid to Mega Yachts

(40 - over 80 ft / 12 - over 24 m)



Tomorrow's Technology, Today

Introducing the Aqua Matic DP V2. Is a gamechanger for those seeking spot-free water for their specific needs. Its advanced technology and multi-stage filtration process ensure that every drop of water is safe for drinking and cooking, leaving no residue or impurities behind.

Its unique design allows easy conversion from modular to compact, making it a versatile solution for any space.



Aqua Matic Dual Pass V2

Contact Information:

Parker Hannifin Corporation
Water Purification
2630 E. El Presidio Street
Carson, CA 90810

phone 310 608 5600

fax 310 608 5692

www.parker.com/waterpurification

Sales & Customer Support:

bwf.car.support@support.parker.com

Technical Support:

bwf.car.technical@support.parker.com

Features & Benefits:

- medium to high water production rates available
- Easy installation and fully automatic operation
- Low power consumption
- Small footprint for limited engine room spaces
- Durable construction can withstand the harsh marine environment and resist corrosion.



ENGINEERING YOUR SUCCESS.

Specifications

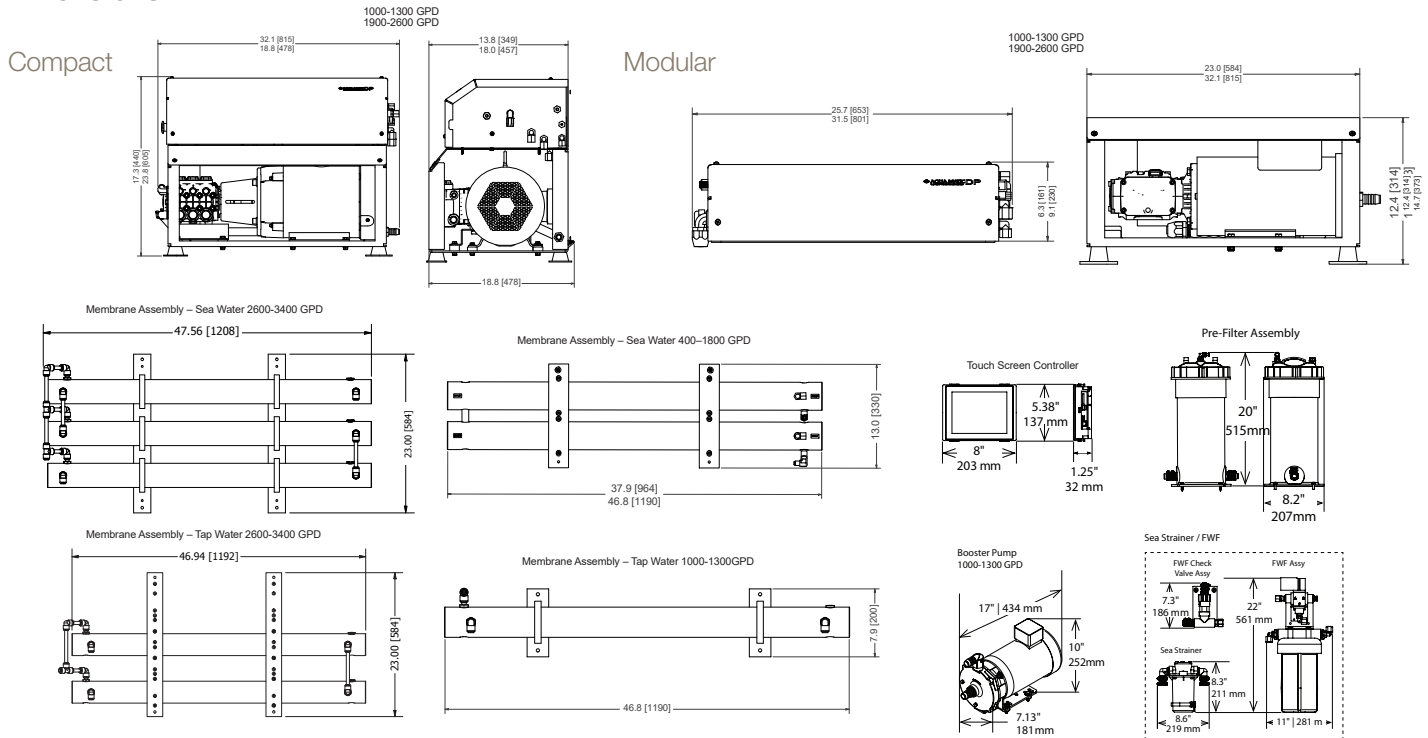
	Model #	Production/Hr.*		Production/ 24 Hrs.		Unit Weight
		Gallons	Liters	Gallons	Liters	
Productions and Weight	A410M-1000GPD	42	158	1000	3785	120 lbs./54.5 Kg
	A410M-1300GPD	54	205	1300	4921	120 lbs./54.5 Kg
	A410M-1900GPD	92	300	1900	7192	303 lbs./151.5 Kg
	A410M-2600GPD	108	410	2600	9842	303 lbs./151.5 Kg

ELECTRICAL

Model #	Phase	Pump Motor	Voltage VAC	Hz	Normal Operating Amps
A410M-1000-1300 GPD	Single	Booster	115/230	50/60	9.4/4.7//7.4/3.7
	Single	HP	110/220/115/230	50/60	21/10.5//21.2/10.6
	Three	Booster	208-230/460//190/380	60/50	2.5/2.4/1.2//2.2/1.1
	Three	HP	208-230/460//190/380	60/50	7/7.2/3.6//8.2/4.1
A410M-1900-2600 GPD	Single	Booster	115/230	60/50	14.2/7.1//18.2/9.1
	Single	HP	220/230	50/60	24/21.8
	Three	Booster	220/380//230/460	50/60	5.4/2.7//5/2.5
	Three	HP	190/380//230/460	50/60	15.6/7.8//13.4/6.7

*Production may vary +/-20%.

Dimensions



To maintain peak performance, always use genuine Parker Sea Recovery and Village Marine the global leader in motion and control technologies, reverse osmosis water desalination, purification, and filtration units replacement parts. We reserve the right to change our specifications or standards without notice.

WARNING: This product can expose you to chemicals including Di(2-ethylhexyl) phthalate (DEHP), which is known to the state of California to cause cancer and birth defects or other reproductive harm. For more information go to www.P65Warnings.ca.gov.

