



# LMK 806

## Plastic Probe for Aggressive Media

Ceramic Sensor

accuracy according to IEC 60770:  
0.5 % FSO

### Nominal pressure

from 0 ... 6 mH<sub>2</sub>O up to 0 ... 200 mH<sub>2</sub>O

### Output signals

2-wire: 4 ... 20 mA  
others on request

### Special characteristics

- ▶ diameter 21 mm
- ▶ suitable for hydrostatic level measurement e. g. in 3/4" pipes
- ▶ good linearity
- ▶ good long term stability


### Optional versions


- ▶ different cable materials
- ▶ customer specific versions  
e. g. special pressure ranges

The LMK 806 with ceramic sensor and diameter of only 21 mm has been especially designed for the continuous level measurement at confined space conditions. Permissible media are highly polluted and aggressive fluids.

Basic element of the plastic submersible probe is a flush mounted ceramic sensor, which makes cleaning easier when solid parts of the medium deposit on it. Different cable and elastomer materials are available in order to achieve maximum media compatibility.

### Preferred areas of use are

Sewage  
 waste water treatment  
 water recycling  
 dumpsites

Aggressive media  
 level measurement  
 in most of acids and lyes



Input pressure range										
Nominal pressure gauge	[bar]	0.6	1	1.6	2.5	4	6	10	16	20
Level	[mH <sub>2</sub> O]	6	10	16	25	40	60	100	160	200
Overpressure	[bar]	2	2	4	4	10	10	20	40	40
Burst pressure ≥	[bar]	4	4	5	5	12	12	25	50	50

Max. ambient pressure (housing): 30 bar

Output signal / Supply	
2-wire	4 ... 20 mA / V <sub>S</sub> = 12 ... 32 V <sub>DC</sub>

Performance	
Accuracy <sup>1</sup>	≤ ± 0.5 % FSO
Permissible load	$R_{max} = [(V_S - V_{S_{min}}) / 0.02 A] \Omega$
Influence effects	supply: 0.05 % FSO / 10 V <span style="float: right;">load: 0.05 % FSO / kΩ</span>
Response time	≤ 10 msec

<sup>1</sup> accuracy according to IEC 60770 – limit point adjustment (non-linearity, hysteresis, repeatability)

Thermal effects (Offset and Span) / Permissible temperatures	
Thermal error	≤ ± 0.4 % FSO / 10 K <span style="float: right;">in compensated range 0 ... 70 °C</span>
Permissible temperatures	medium / electronics / environment / storage: -25 ... 80 °C

Electrical protection <sup>2</sup>	
Short-circuit protection	permanent
Reverse polarity protection	no damage, but also no function
Electromagnetic protection	emission and immunity according to EN 61326

<sup>2</sup> additional external overvoltage protection unit in terminal box KL 1 or KL 2 with atmospheric pressure reference available on request

Electrical connection	
Cable with sheath material <sup>3</sup>	PVC (-5 ... 70 °C) grey Ø 7.4 mm PUR (-25 ... 70 °C) black Ø 7.4 mm FEP <sup>4</sup> (-25 ... 70 °C) black Ø 7.4 mm others on request
Cable capacitance	signal line/shield also signal line/signal line: 160 pF/m
Cable inductance	signal line/shield also signal line/signal line: 1 µH/m
Bending radius	static installation: 10-fold cable diameter dynamic application: 20-fold cable diameter

<sup>3</sup> shielded cable with integrated ventilation tube for atmospheric pressure reference

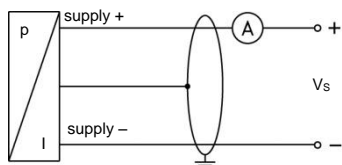
<sup>4</sup> do not use freely suspended probes with an FEP cable if effects due to highly charging processes are expected

Materials (media wetted)	
Housing	PP-HT <span style="float: right;">others on request</span>
Seals	FKM
Diaphragm	ceramics Al <sub>2</sub> O <sub>3</sub> 96 %
Protection cap	POM-C
Cable sheath	PVC, PUR, FEP

Miscellaneous	
Current consumption	max. 25 mA
Weight	approx. 100 g (without cable)
Ingress protection	IP 68
CE-conformity	EMC Directive: 2014/30/EU

### Wiring diagram

2-wire-system (current)

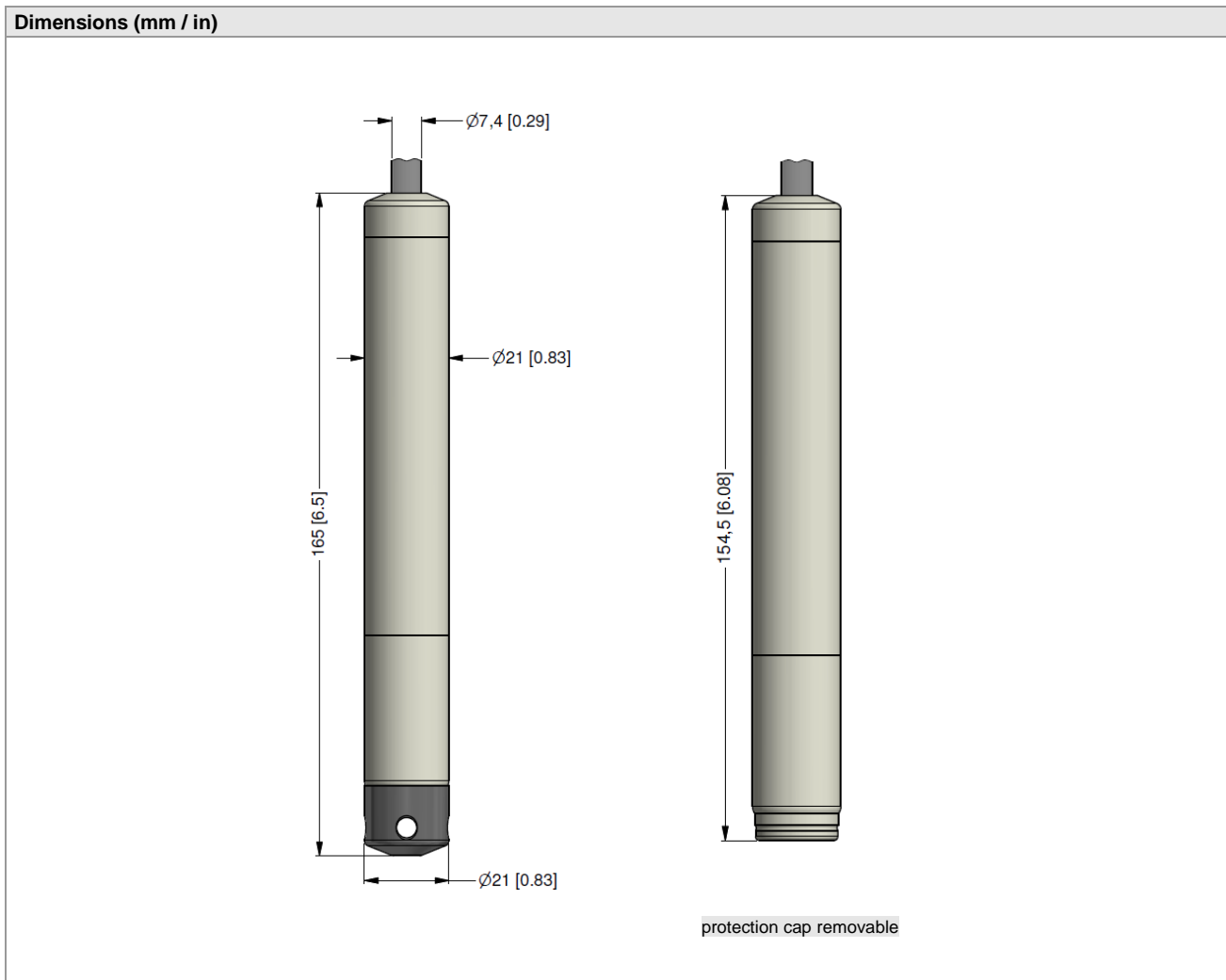


Pin configuration	
Electrical connection	cable colours (IEC 60757)
Supply +	WH (white)
Supply -	BN (brown)
Shield	GNYE (green-yellow)

# LMK 806

Plastic Probe

Technical Data



## Accessories

**Terminal clamp**

Technical data		
Suitable for	all probes with cable $\varnothing$ 5.5 ... 10.5 mm	
Material of housing	standard: steel, zinc plated      optionally: stainless steel 1.4301 (304)	
Material of clamping jaws and positioning clips	PA (fibre-glass reinforced)	
Dimensions (mm)	174 x 45 x 32	
Hook diameter	20 mm	
Ordering type	Ordering code	Weight
Terminal clamp, steel, zinc plated	Z100528	approx. 160 g
Terminal clamp, stainless steel 1.4301 (304)	Z100527	

© 2021 BDSENSORS GmbH – The specifications given in this document represent the state of engineering at the time of publishing. We reserve the right to make modifications to the specifications and materials.

