



# DMP 339

## Industrial Pressure Transmitter

Stainless Steel Sensor

accuracy according to IEC 60770:  
0.35 % FSO

### Nominal pressure

from 0 ... 60 bar to 0 ... 600 bar

### Output signals

2-wire: 4 ... 20 mA

3-wire: 0 ... 20 mA / 0 ... 10 V

others on request

### Special characteristics

- ▶ mechanical connection:  
G 1/4" flush
- ▶ suitable for viscous  
and pasty media

### Optional versions

- ▶ IS-version  
Ex ia = intrinsically safe for  
gases and dusts
- ▶ several electrical connections
- ▶ customer specific versions

The DMP 339 industrial pressure transmitter features a G 1/4" flush pressure port and was designed for the use in a range of machinery including metering systems. It is ideal for measuring the pressure of viscous and pasty media, as only a small dead space is created.

Material accumulation, dripping and stringing in machinery is eliminated. This increases the efficiency and reliability of your machines.

The DMP 339 is available with various electrical connections, ensuring an excellent adaption to the application conditions.

### Preferred areas of use are:



Plant and machine engineering  
- especially conveyor plants and  
dosing systems



Hydraulics



# DMP 339

Industrial Pressure Transmitter

Technical Data

Input pressure range <sup>1</sup>							
Nominal pressure gauge / abs.	[bar]	60	100	160	250	400	600 <sup>2</sup>
Overpressure	[bar]	210	210	600	600	1050	1050
Burst pressure ≥	[bar]	300	300	750	750	1200	1400

<sup>1</sup> nominal pressure  $p_N < 60$  bar on request  
<sup>2</sup> nominal pressure 600 bar without UL certification

Output signal / Supply	
Standard	2-wire: 4 ... 20 mA / $V_S = 8 ... 32 V_{DC}$
Option IS-version	2-wire: 4 ... 20 mA / $V_S = 10 ... 28 V_{DC}$
Options 3-wire	3-wire: 0 ... 20 mA / $V_S = 14 ... 30 V_{DC}$ 0 ... 10 V / $V_S = 14 ... 30 V_{DC}$

Performance	
Accuracy <sup>3</sup>	≤ ± 0.35 % FSO
Permissible load	current 2-wire: $R_{max} = [(V_S - V_{S min}) / 0.02 A] \Omega$ current 3-wire: $R_{max} = 500 \Omega$ voltage 3-wire: $R_{min} = 10 k\Omega$
Influence effects	supply: 0.05 % FSO / 10 V load: 0.05 % FSO / kΩ
Long term stability	≤ ± 0.1 % FSO / year at reference conditions
Response time	2-wire: ≤ 10 msec 3-wire: ≤ 3 msec

<sup>3</sup> accuracy according to IEC 60770 – limit point adjustment (non-linearity, hysteresis, repeatability)

Thermal effects (offset and span)	
Tolerance band	≤ ± 1 % FSO
in compensated range	-20 ... 85 °C

Permissible temperatures	
Medium	-40 ... 125 °C
Electronics / environment	-40 ... 85 °C
Storage	-40 ... 100 °C

Electrical protection	
Short-circuit protection	permanent
Reverse polarity protection	no damage, but also no function
Electromagnetic compatibility	emission and immunity according to EN 61326

Mechanical stability	
Vibration	10 g RMS (25 ... 2000 Hz) according to DIN EN 60068-2-6
Shock	100 g / 11 msec according to DIN EN 60068-2-27

Materials	
Pressure port	stainless steel 1.4548 (17-4 PH ERS)
Housing	stainless steel 1.4404 (316 L)
Option compact field housing	stainless steel 1.4301 (304) cable gland M12x1.5, brass, nickel plated (clamping range 2 ... 8 mm)
Seals	FKM; others on request
Diaphragm	stainless steel 1.4435 (316 L)
Media wetted parts	pressure port, diaphragm

Explosion protection (only for 4 ... 20 mA / 2-wire)	
Approvals DX19-DMP 339	IBExU 10 ATEX 1068 X / IECEx IBE 12.0027X zone 0: II 1G Ex ia IIC T4 Ga zone 20: II 1D Ex ia IIIC T135 °C Da
Safety technical maximum values	$U_i = 28 V_{DC}$ , $I_i = 93 mA$ , $P_i = 660 mW$ , $C_i \approx 0 nF$ , $L_i \approx 0 \mu H$ , $C_{iGND} \approx 27 nF$
Permissible temperatures for environment	in zone 0: -20 ... 60 °C with $p_{atm}$ 0.8 bar up to 1.1 bar in zone 1 or higher: -40/-20 ... 70 °C
Connecting cables (by factory)	cable capacitance: signal line/shield also signal line/signal line: 160 pF/m cable inductance: signal line/shield also signal line/signal line: 1 μH/m

Miscellaneous	
Current consumption	signal output current: max. 25 mA signal output voltage: max. 7 mA
Weight	approx. 120 g
Installation position	any <sup>4</sup>
Operational life	100 million load cycles
CE-conformity	EMC Directive: 2014/30/EU Pressure Equipment Directive: 2014/68/EU (module A) <sup>5</sup>
ATEX Directive	2014/34/EU

<sup>4</sup> Pressure transmitters are calibrated in a vertical position with the pressure connection down.

<sup>5</sup> This directive is only valid for devices with maximum permissible overpressure > 200 bar

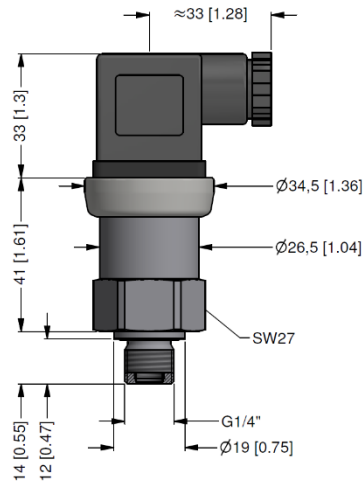
# DMP 339

Industrial Pressure Transmitter

Technical Data

Wiring diagrams					
2-wire-system (current)			3-wire-system (current / voltage)		
Pin configuration					
Electrical connection	ISO 4400	Binder 723 (5-pin)	M12x1 / metal (4-pin)	compact field housing	cable colours (IEC 60757)
Supply +	1	3	1	V <sub>S+</sub>	WH (white)
Supply -	2	4	2	V <sub>S-</sub>	BN (brown)
Signal + (only for 3-wire)	3	1	3	S+	GN (green)
Shield	ground pin	5	4	GND	GNYE (green-yellow)
Electrical connections (dimensions mm / in)					
 ISO 4400 (IP 65)		 Binder series 723, 5-pin (IP 67)		 M12x1, 4-pin (IP 67)	
 compact field housing (IP 67)		 cable outlet with PVC-cable (IP 67) <sup>6</sup>		 cable outlet, cable with ventilation tube (IP 68) <sup>7</sup>	
<p>⇒ universal field housing stainless steel 1.4404 (316 L) with cable gland M20x1.5 (ordering code 880) and other versions on request</p>					
<p><sup>6</sup> standard: 2 m PVC cable without ventilation tube (permissible temperature: -5 ... 70 °C)</p> <p><sup>7</sup> different cable types and lengths available, permissible temperature depends on kind of cable</p>					

## Dimensions (mm / in)



G1/4" flush DIN 3852

## Accessories

### Plug-on Display PA 430



#### Functional range

- ▶ free scalable display
- ▶ switch mode, hysteresis, parameterizable deceleration of the contacts
- ▶ display 330 ° rotatable
- ▶ connector 300 ° rotatable
- ▶ no external power supply necessary

#### Product characteristics

- ▶ plug-on display for pressure transmitter with output signal:  
4 ... 20 mA / 2-wire or  
0 ... 10 V / 3-wire
- ▶ 4-digit LED display

#### Optional versions

- ▶ IS-version
- ▶ 1 or 2 programmable contacts

## Ordering code DMP 339

DMP 339



<b>Pressure</b>										
gauge	1	3	5							
absolute	1	3	6							
<b>Input</b>										
[bar] <sup>1</sup>										
60			6	0	0	2				
100			1	0	0	3				
160			1	6	0	3				
250			2	5	0	3				
400			4	0	0	3				
600 <sup>2</sup>			6	0	0	3				
customer			9	9	9	9				consult
<b>Output</b>										
4 ... 20 mA / 2-wire									1	
0 ... 20 mA / 3-wire									2	
0 ... 10 V / 3-wire									3	
intrinsic safety 4 ... 20 mA / 2-wire									E	
customer									9	consult
<b>Accuracy</b>										
0.35 % FSO									3	
customer									9	consult
<b>Electrical connection</b>										
male and female plug ISO 4400									1	0
male plug Binder series 723 (5-pin)									2	0
cable outlet with PVC cable (IP67) <sup>3</sup>									T	A
cable outlet,									T	R
cable with ventilation tube (IP68) <sup>4</sup>									0	
male plug M12x1 (4-pin) / metal									M	1
compact field housing									8	5
stainless steel 1.4301 (304)									9	9
customer									9	9
<b>Mechanical connection</b>										
G1/4" DIN 3852									F	0
with flush sensor									9	9
customer									9	9
<b>Seals</b>										
FKM									1	
customer									9	
<b>Special version</b>										
standard									0	0
customer									9	9

<sup>1</sup> nominal pressure gauge  $p_N < 60$  bar on request

<sup>2</sup> nominal pressure 600 bar without UL certification

<sup>3</sup> standard: 2 m PVC cable without ventilation tube (permissible temperature: -5 ... 70°C), others on request

<sup>4</sup> code TR0 = PVC cable, cable with ventilation tube available in different types and lengths