

# DF2110 Series

Duplex Filters

Max. 1200 l/min. 30 bar



## Heavy duty performance

High dirt holding capacity yet low pressure drop. Heavy duty cast iron housing and several media options means a multitude of suitable applications. Maximum flow rate up to 1200 l/min and extended housing available for high viscosity oils and longer service intervals. DN80 PN 25 connection.



## Contact Information:

Parker Hannifin  
**Hydraulic Filter Division Europe**

**European Product  
Information Centre**  
Freephone: 00800 27 27 5374  
(from AT, BE, CH, CZ, DE, EE, ES,  
FI, FR, IE, IT, PT, SE, SK, UK)  
filtrationinfo@parker.com

[www.parker.com/hfde](http://www.parker.com/hfde)

## Applications:

- Marine gear lubricating systems
- Propulsion systems
- Diesel engine lubricating systems
- Heavy fuel oil safety filter

## Specification

### Duplex filter:

One reservoir can be closed for service, vertical installation.

### Connections:

Standard flange size DN80/PN25. Delivered without counter flanges.

### Maximum operating pressure:

30 bar

### Seal material:

Fluoroelastomer

### Operating temperature:

-20°C...+120°C with Fluoroelastomer seals,

-20°C...+160°C with metal mesh elements and Fluoroelastomer seals.

### Housing material:

Cast iron (GJS)

### Weight:

Length 1: 200 kg

Length 2: 240 kg

### Nominal flow rate (30 cSt):

Length 1: 1000 l/min (60 m<sup>3</sup>/h)

Length 2: 1200 l/min (72 m<sup>3</sup>/h)

### Bypass valve:

Standard bypass opening pressure 2.0 bar, optional opening pressure 3.0 bar or blocked bypass

### Indicator options:

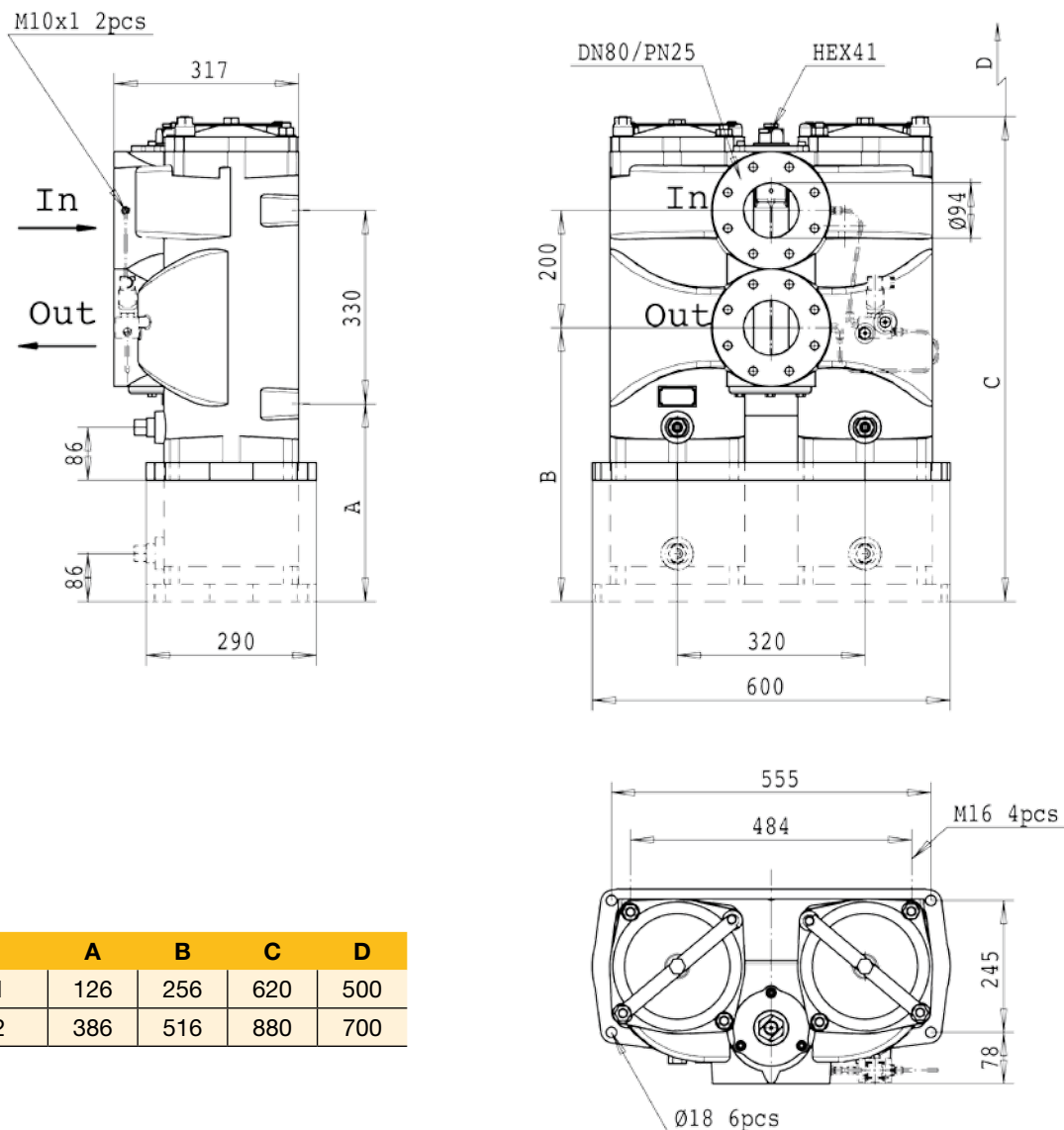
Visual, electrical or electronic indicator requires an indicator block. For details see indicator options table in product description page and catalogue section 4.

### Filtration materials:

- Glassfibre Microglass III
- Cleanable metal mesh

### Fluid compatibility:

Suitable for use with regular hydraulic and lubrication oils and fuel oils. For heavy fuel oil applications, please specify option P2 (see table 8 in product description) which ensures that filters are delivered with documentation according PED 97/23/EC category II. For other fluids consult Parker Filtration.



Type	A	B	C	D
Length 1	126	256	620	500
Length 2	386	516	880	700

# DF2110 Series

## Pressure Drop Curves

$$\Delta p_{\text{total}} = \Delta p_{\text{housing}} + \Delta p_{\text{element}}$$

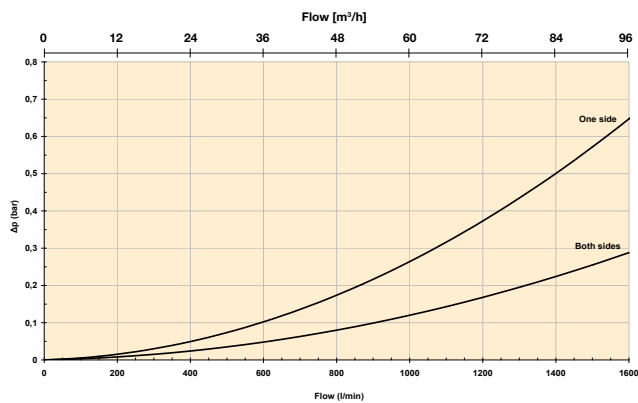
The recommended level of the initial pressure drop for this filter is maximum 0.5 bar.

$\Delta p$ -curves are measured at 30 cSt.

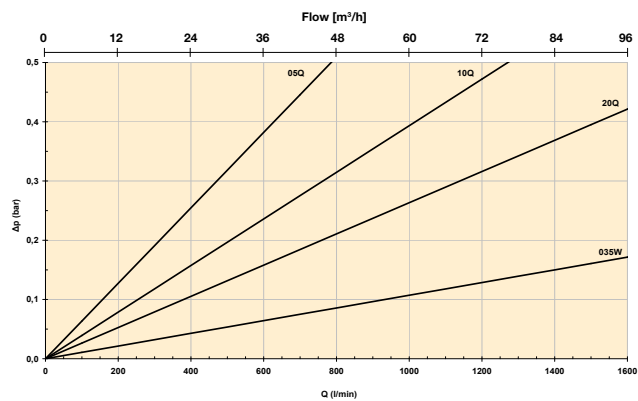
If the medium used has a viscosity different from 30 cSt, pressure drop over the element can be estimated as follows:

$$\Delta p_{\text{total}} = \Delta p_{\text{housing}} + \Delta p_{\text{element}} \times \frac{\text{working viscosity}}{30 \text{ cSt}}$$

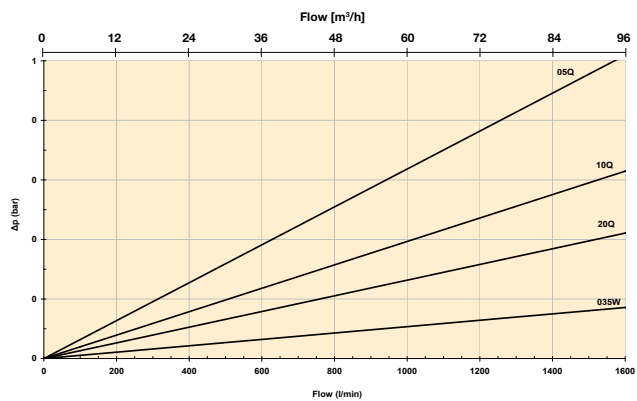
**DF2110 housing**



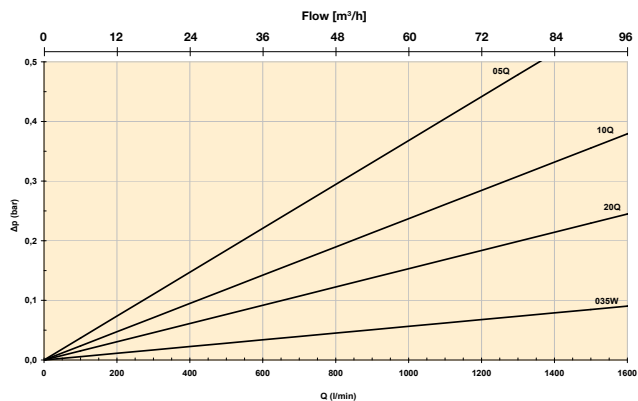
**Length 1 elements/one side**



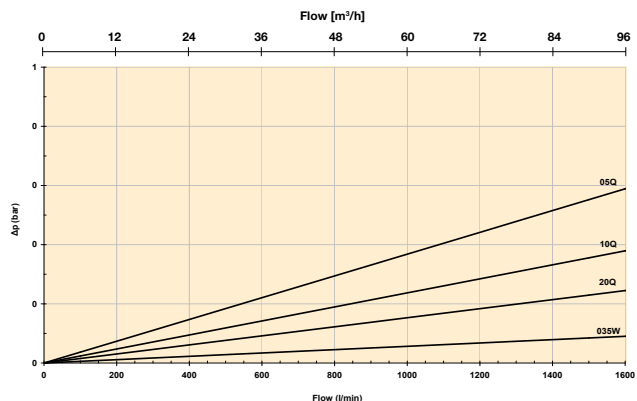
**Length 1 elements/both sides**



**Length 2 elements/one side**



**Length 2 elements/both sides**



## Product Description for DF2110

### Complete Filter:

Table 1

--

Table 2

--

Table 3

--

Table 4

--

Table 5

--

Table 6

--

Table 7

--

Table 8

--

Table 1

FILTER TYPE	
Model	CODE
Duplex filter	<b>DF2110</b>

Table 2

FILTER SIZE	
Element length	CODE
Length 1	<b>1</b>
Length 2	<b>2</b>

Table 3

DEGREE OF FILTRATION	
Element type	CODE
<b>Microglass III</b>	
Glassfibre 5 µm	05Q
Glassfibre 10 µm	<b>10Q</b>
Glassfibre 20 µm	<b>20Q</b>
<b>Other medias</b>	
Cleanable metal mesh 35 µm	035W
Cleanable metal mesh 60 µm	060W

Table 4

SEAL TYPE	
Seal material	CODE
Fluoroelastomer	<b>V</b>

Table 5

INDICATORS	
Options	CODE
No indicator block	<b>N</b>
Indicator port plugged	<b>P</b>
Visual indicator	<b>M3</b>
Electrical indicator	<b>T1</b>
Electronic indicator (PNP/N.O.)	F1
Electronic indicator (NPN/N.O.)	F2

Table 6

BYPASS VALVE	
Bypass/indicator setting	CODE
2.0 bar/1.5 bar	<b>H</b>
3.0 bar/2.5 bar	<b>J</b>
No/No	<b>X</b>

Table 7

FILTER CONNECTIONS	
Port size	CODE
Flange DN80	<b>D80</b>

Table 8

OPTIONS	
Options	CODE
With bypass	<b>1</b>
No bypass	<b>2</b>
PED category 2	P2

If several options are selected, please add the codes in order listed above.

REPLACEMENT ELEMENTS WITH FLUOROELASTOMER SEALS		
Media code	Order code for Length1	Order code for Length2
<b>Glassfibre</b>	<b>Microglass III</b>	<b>Microglass III</b>
05Q	938365Q	938367Q
10Q	<b>938373Q</b>	938093Q
20Q	<b>938366Q</b>	938368Q
<b>Cleanable metal mesh</b>		
035W	939186	939188
060W	939187	939189

SPARE PARTS	
Seal kit	CODE
Seal material	
Fluoroelastomer	916045078

Please note the bolded options reflect standard options with reduced lead-time.