

# Flow meter for waterbased media



## flow-captor 4114.30

The flow-captor 4114.30 is a flow meter for industrial applications which can be installed virtually non-intrusively into any pipe without obstruction of the pipe diameter. This flow-captor operates accordingly to a new developed calorimetric principle providing a wide measuring range. Completely epoxy resin encapsulated this flow-captor is a compact, rugged, shock and vibration resistant sensor with proven reliability and long-term stability, even under the most harsh environmental conditions.

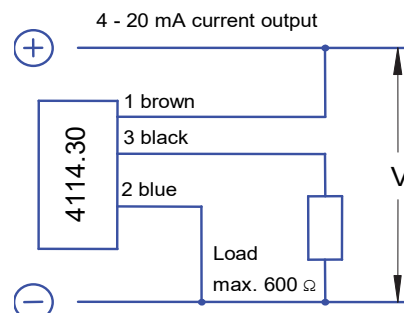


- Precise flow meter for waterbased media
- Adjustable measuring range
- Calorimetric principle without moving parts
- Linear current output 4 – 20 mA
- Housing and sensor head stainless steel WN 1.4305 / AISI 303
- **ISO 9001:2015**

Technical Data	
Typ	4114.30
Medium	waterbased media (other media on request)
Sensor Data *1	
Measuring range	continuously adjustable from 0 - 20 cm/s to 0 - 200 cm/s *
Set-point range	Zero point and range adjustment by potentiometer
Medium temperature	- 10°C to + 80°C
Ambient temperature	- 10°C to + 60°C
Pressure	Max. 30 bar
Response time	2 - 10 s depends on measuring conditions
Linearity deviation	< 5% best fitting slope
Repeatability	< 2%
Temperature drift	< 0,3% / K
Mechanical Data	
Protection class	IP65
Material housing	stainless steel WN 1.4305 / AISI 303 (other material on request)
Material of sensor head	stainless steel WN 1.4305 / AISI 303 (other material on request)
Mounting accessories	Union nut G 1 1/4 A, SW 50 mm (stainless steel WN 1.4305 / AISI 303)
Electrical connection	2 m moulded oilflex cable 3 x 0,5 mm <sup>2</sup>
Dimensions	L = 109,5 mm; B = 32 mm
Electrical Data	
Operating voltage	24 VDC ±10%
Power consumption	approx. 100 - 200 mA (at max. flow)
Current output	4 - 20 mA
output display	green LED
Load	Max. 600Ω

\*1) data relate to water

Connection diagram:



**weber**

Sensors GmbH Strohdeich 32  
 Sensors Ltd. 66 Eastbourne Road, Southport  
 Sensors LLC. 4462 Bretton Court, Building 1, Suite 7

DE-25377 Kollmar, Germany Tel.: +49 (0)4128 - 591· Fax: - 593  
 Merseyside PR8 4DU, UK Tel.: +44 (1704) - 551684 · Fax: - 551297  
 Acworth, Georgia 30101, USA Tel.: +1 (770) 592 - 6630 · Fax: - 592 6640

**www.captor.de**  
 info@captor.de  
 sales@captor.co.uk  
 sales@captor.com