

flow-captor 4115.3x

The flow-captor type 4115.30 is ideal for all measurement and control tasks within automation processes and other industrial applications where liquid media have to be controlled. The sensor works according to the calorimetric measuring principle which allows the adjustment of the measuring range to a large quantity spectrum. It operates fully electronically and without mechanically moved parts.

- precise flow measurement
- adjustable measuring range
- either with 4 - 20 mA current output
or with 0.1 - 10 V voltage output
- robust stainless steel construction (special potting)
- **ISO 9001:2015**



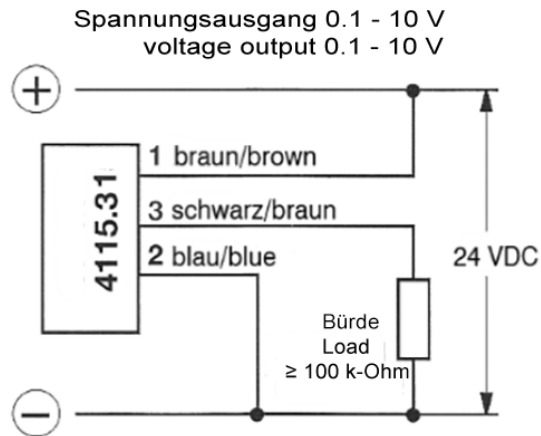
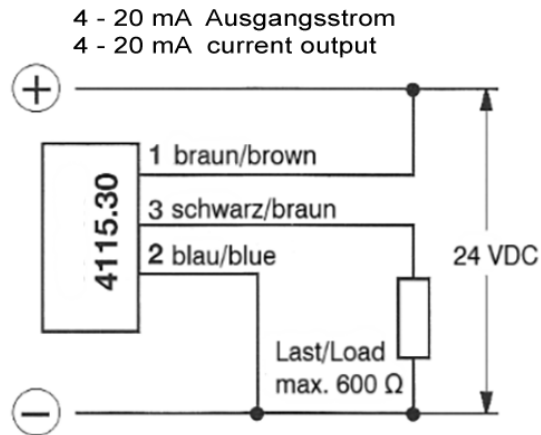
Technical data

Type	4115.3x	4115.3x S115/2
Medium	water-based	oil-based
Sensor data		
Measuring range	cont. adjustable from 0 - 20 cm/s to 0 - 200 cm/s ¹⁾ other range on request	cont. adjustable from 0 to 200 cm/s ²⁾
Set-point range	zero point and range adjustment by potentiometer	
Medium temperature	-10 °C - +80 °C	
Ambient temperature	-10 °C - +60 °C	
Pressure	max. 30 bar	
Response time	2 - 10 sec. depends on measuring conditions	
Linearity deviation	< 5 % most favourable straight line related to the final value	
Repeatability	< 2 %	
Temperature drift	< 0.3 % per Kelvin	
Mechanical data		
Protection class	IP65	
Material housing / sensor	stainless steel AISI 303 (other material on request)	
Material of sensor head	stainless steel AISI 303 (other material on request)	
Installation	by means of union nut G 1" A, SW 37 mm (stainless steel AISI 303)	
Electrical connection	2 m moulded oilflex cable 3 x 0.5 mm ²	
Housing dimensions	see drawing on next page	
Electrical data		
Operating voltage	24 VDC ±10 %	
Power consumption	approx. 100 - 200 mA (at max. flow)	
Initial operation	approx. 10 sec. after connection of power	
Output 4115.30	4 - 20 mA	
Load 4115.30	max. 600 Ω	
Output 4115.31	0.1 - 10 V	
Load 4115.31	≥ 100 k-Ohm	
Protection circuit	reverse polarity & short circuit / overload protected up to max. 30 VDC only	
Output display	green LED	

¹⁾ data relate to water ²⁾ calibrated with insulation oil type "Shell Diala S4 ZX-I"

flow-captor 4115.3x

Connection diagram:



Housing dimensions:

