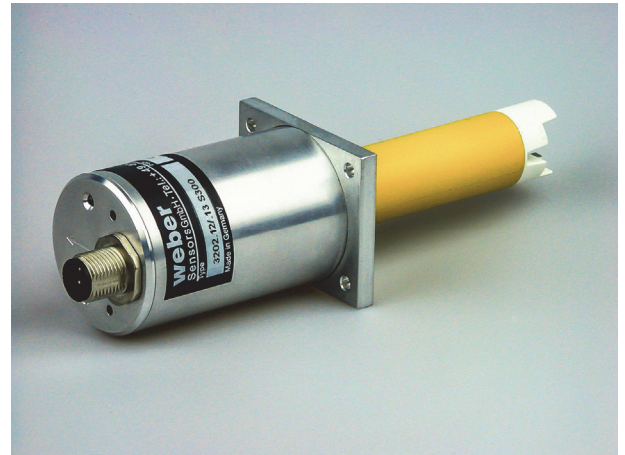


vent-captor 3202.12/.13 S300

The vent-captor type 3202.13/.12 S300 is used in almost all automation processes and many other industrial applications in which air or other gases must be monitored. The 3202.13/.12 S300 offers 2 individually adjustable switching points – so within a selected measuring range, both the falling below or the exceeding of the limit value will be signalled (2-point-controller). The sensor operates according to the calorimetric measuring principle - fully electronic and without any mechanically moved parts. The sensor detects the flow velocity of the medium and converts it into electrical signals.



- compact and robust industrial design (full potting)
- 2 individually adjustable switching points (.12/.13)
- 2 LEDs for displaying the separate switching points
- temperature-independent
- each switching point can be set between 0.5 and 30 m/s
- **ISO 9001:2015**

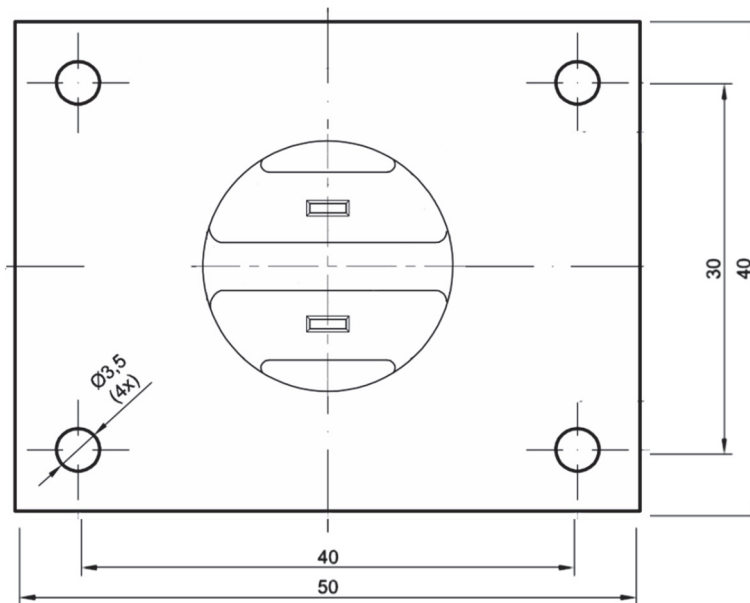
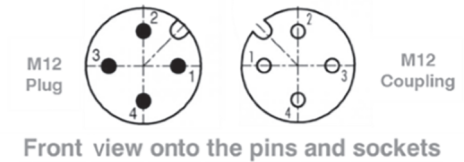
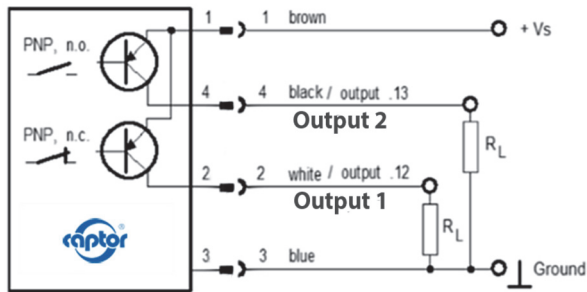
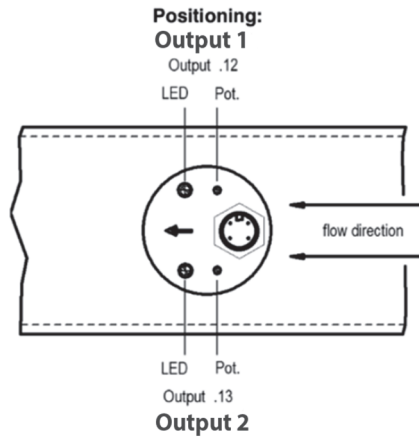
Technical data		
Type	3202.12/.13 S300	
Medium	gaseous (aggressive media on request)	
Sensor data*		
Measuring range	0.5 to 30 m/s	
Switching delay	min. 1 sec. to max. 30 sec.	
Hysteresis	0.8 - 1.2 m/s	
Repeatability	< 1 %	
Pressure	up to max. 10 bar	
Medium temperature	-20 °C bis +70 °C	
Ambient temperature	-20 °C bis +70 °C	
Temperature drift	< 0.3 % / K	
Mechanical data		
Protection standard	IP64	
Sensor probe	ceramic with overglaze	
Sensor housing	Ultradur® (PBTP)	
Electronic housing	aluminium, chromated	
Electrical connection	4-pin M12-coupling 2 m oilflex cable 4 x 0.5 mm ² (cable type 4941 has to be ordered separately)	
Electrical data		
Electrical output	.12	.13
Output flow > set-point	PNP, not energized	PNP, energized
Supply voltage	24 VDC (18 to 30 VDC incl. residual ripple)	
Power consumption	ca. 800 mW to 2.4 W	
Switching current	0 - 400 mA	
Circuit protection	reverse polarity	
Output protection	short circuit and overload, pulsing	
Starting override time	approx. 30 sec. at 0.5 m/s to 5 sec. at 30 m/s set-point	
Display	2-color LED: green/red	2-color LED: green/red
during starting override time	LED red on	LED green on
flow > set-point	LED red on	LED green on
flow < set-point	LED green on	LED red on
Set-point adjustment	18 turn potentiometer	

*All data related to air

flow switch for gaseous media



vent-captor 3202.12/.13 S300



weber

Sensors GmbH Strohdeich 32
 Sensors Ltd. 66 Eastbourne Road, Southport
 Sensors LLC. 4462 Bretton Court, Building 1, Suite 7

DE-25377 Kollmar
 Merseyside PR8 4DU, UK
 Acworth, Georgia 30101, USA

Tel.: +49 (0)4128 - 591 · Fax: - 593

Tel.: +44 (1704) - 551684 · Fax: - 551297

Tel.: +1 (770) 592 - 6630 · Fax: - 592 6640

www.captor.de
 info@captor.de

sales@captor.co.uk

sales@captor.com

Technical data subject to alteration! Rev. AI 11.03.20